

Article datasheet

PC fuse clip 5x20mm max. 6 Amps Brass tinned

Article-No.: 015.06.035

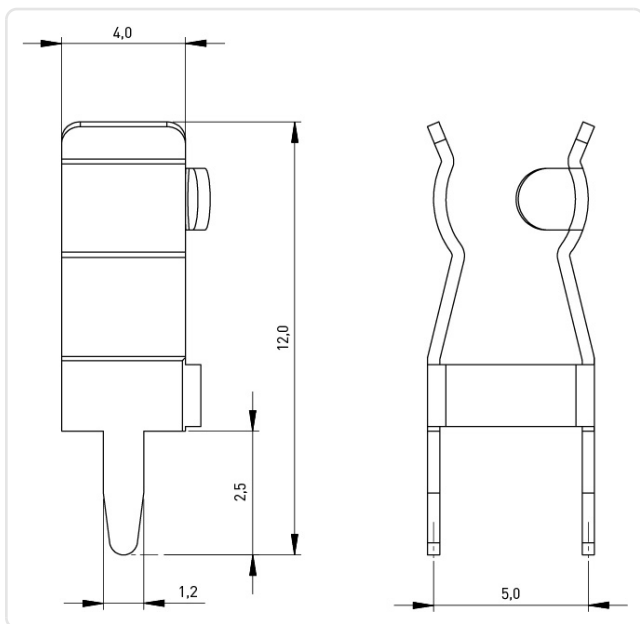


Image may be similar

Fuse Size [mm]:	5.0x20.0
Material:	Brass CW508L / CuZn37, lead-free
Material Group:	Brass
Model:	Clip Holder
Mounting Hole [mm]:	1.3
Protection Code:	PC1
Weight:	0.34g
Conformities:	<div style="display: flex; gap: 10px;"> <div style="border: 1px solid green; padding: 2px; font-size: 8px;">Reach COMPLIANT</div> <div style="border: 1px solid green; padding: 2px; font-size: 8px;">RoHS COMPLIANT</div> <div style="border: 1px solid green; padding: 2px; font-size: 8px;">SVHC COMPLIANT</div> </div>



You can find all information on the web on our article detail page
[PC fuse clip 5x20mm max. 6 Amps Brass tinned](#)



Would you like individual advice?

We look forward to your email to products@ettinger.de.

Subject to change and errors.