

Article datasheet

Knurled Thumb Screw M4x20 Polyamide GF black Vertical Knurl

Article-No.: 001.49.2090



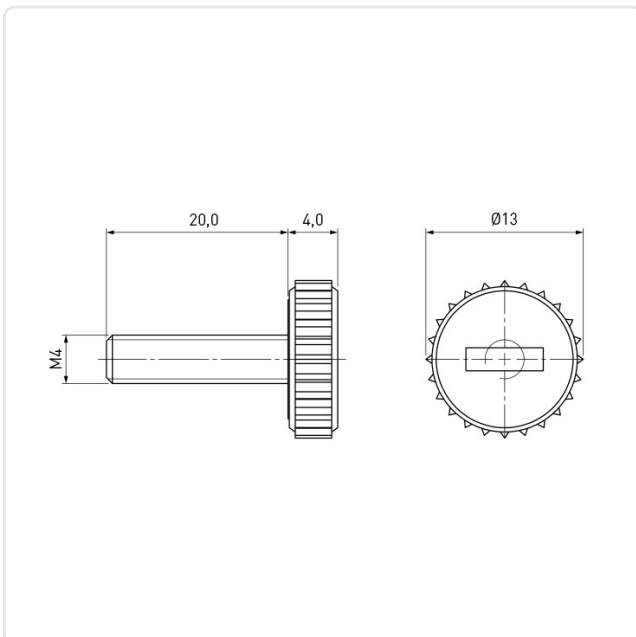
Image may be similar

Color:	Black
Drive Type:	Slotted
Head Diameter [mm]:	13
Head Height [mm]:	4
Head Shape:	Cheese Head
Knurling:	Vertical Knurl
Length [mm]:	20
Material:	PA 6.6 30% GF
Material Group:	Plastic
Thread Size:	M4
Weight:	0.84g
Conformities:	



You can find all information on the web on our article detail page

[Knurled Thumb Screw M4x20 Polyamide GF black Vertical Knurl](#)



Would you like individual advice?

We look forward to your email to products@ettinger.de.

Subject to change and errors.