

Article datasheet

Mounting Set UNC 4-40 complete set UNC 5/12 Steel zinc pl

Article-No.: 085.17.458

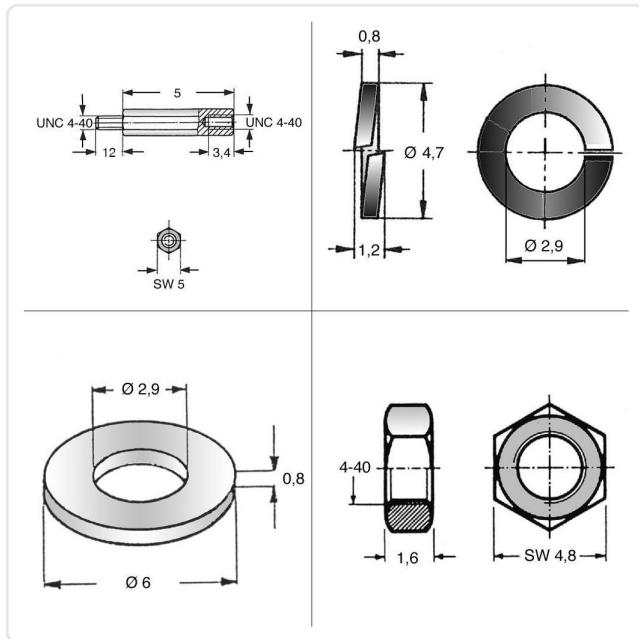


Image may be similar

Length [mm]: 12

Thread Size: UNC4-40

Weight: 3.35g

Conformities:   



You can find all information on the web on our article detail page

[Mounting Set UNC 4-40 complete set UNC 5/12 Steel zinc pl](#)

Would you like individual advice?

We look forward to your email to products@ettinger.de.

Subject to change and errors.