

Article datasheet

## Collet Knob $\varnothing$ 10 mm

Article-No.: 025.10.038

Manufacturer: OKW Gehäusesysteme

Manufacturer article-no.: A25.10.038

**OKW**  
GEHÄUSE  
SYSTEME



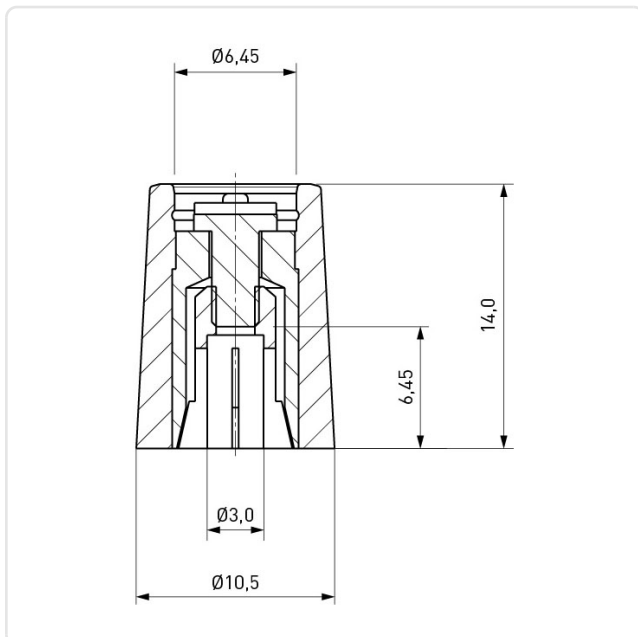
Image may be similar

Color: Gray  
 Height [mm]: 14  
 Inner Diameter [mm]: 3  
 Material: ABS - Acrylonitrile Butadiene Styrene  
 Material Group: Plastic  
 Model: Combination Knob  
 Outer Diameter [mm]: 10  
 Weight: 3.08g  
 Conformities:



You can find all information on the web on our article detail page

[Collet Knob  \$\varnothing\$  10 mm](#)



Would you like individual advice?

We look forward to your email to [products@ettinger.de](mailto:products@ettinger.de).

Subject to change and errors.