

Article datasheet

Fast On Receptacle 6.3x0.8mm 90° Polyamid red UL-E235796 0.5-1.0mm²

Article-No.: 012.68.352

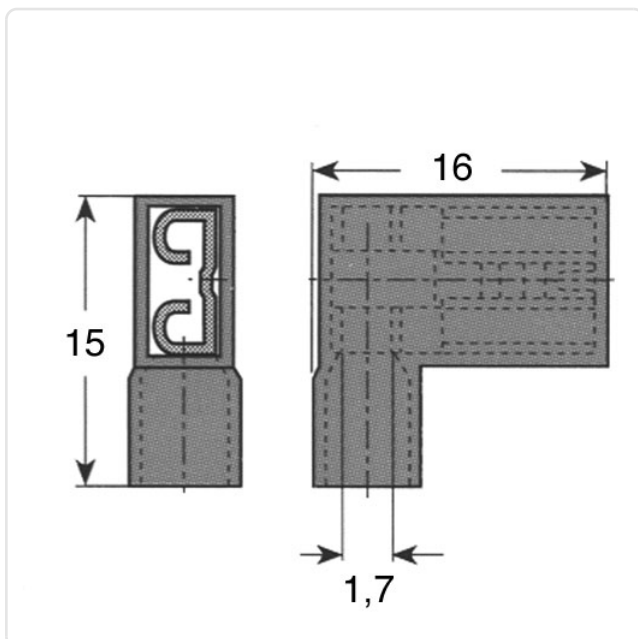


Image may be similar

Color:	Red
DIN/ISO:	DIN46245
Finish:	Tin-Plated
Insulation:	Polyamide
Length [mm]:	16
Material:	Brass
Material Group:	Brass
Size [mm]:	6.3x0.8
Wire Cross Section [mm ²]:	0.5-1.0
Weight:	1.24g
Conformities:	



You can find all
information on the web on
our article detail page



Would you like individual advice?

We look forward to your email to products@ettinger.de.

Subject to change and errors.