

Article datasheet

PCB Support 9.5 | \varnothing 4.0 | \varnothing 4.7 Polyamide 6.6 natural

Article-No.: 006.20.096



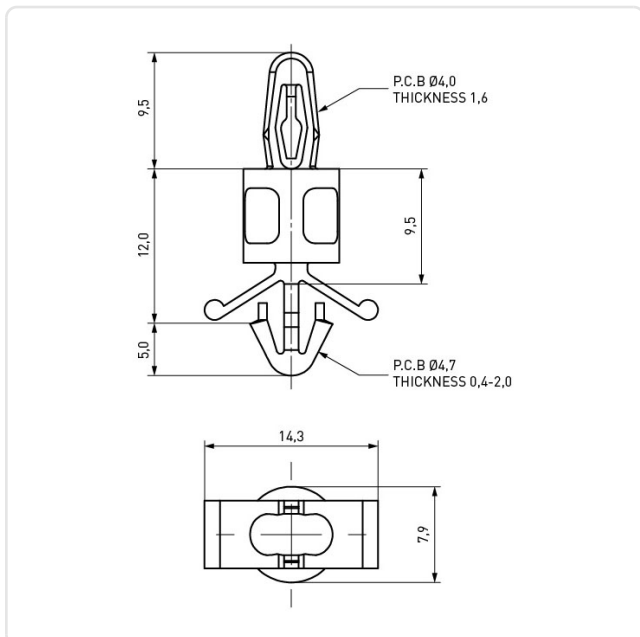
Image may be similar

Color:	Natural
Flammability Class:	UL94-V2
Length [mm]:	9.5
Material:	PA 6.6
Material Group:	Plastic
PCB Hole \varnothing [mm]:	4
PCB Thickness [mm]:	1,6
Panel Hole \varnothing [mm]:	4.7
Panel Thickness [mm]:	0,4-2,0
Weight:	0.59g
Conformities:	<div style="display: flex; gap: 10px;"> <div style="border: 1px solid black; padding: 2px; text-align: center;">SVHC COMPLIANT ✓</div> <div style="border: 1px solid black; padding: 2px; text-align: center;">Reach COMPLIANT ✓</div> <div style="border: 1px solid black; padding: 2px; text-align: center;">RoHS COMPLIANT ✓</div> </div>



You can find all information on the web on our article detail page

[PCB Support 9.5 | \$\varnothing\$ 4.0 | \$\varnothing\$ 4.7 Polyamide 6.6 natural](#)



Would you like individual advice?

We look forward to your email to products@ettinger.de.

Subject to change and errors.