

Article datasheet

Contact Washer Ø8.2/16.2 x 1.4 Galvanized Steel

Article-No.: 003.20.081

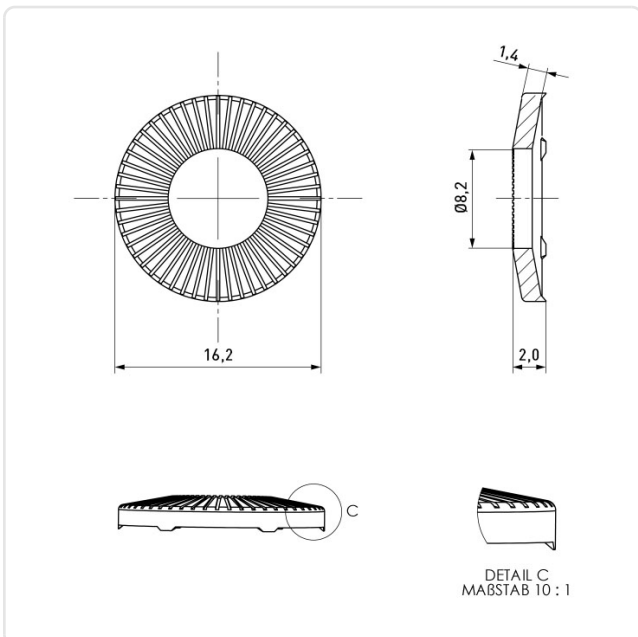


Image may be similar

Finish: Galvanized, 15–25 µm
 For Thread Size: M8
 Height [mm]: 1.4
 Inner Diameter [mm]: 8.2
 Material: Spring Steel, lead-free
 Outer Diameter [mm]: 16.2
 Weight: 1.54g
 Conformities:



You can find all information on the web on our article detail page [Contact Washer Ø8.2/16.2 x 1.4 Galvanized Steel](#)



Would you like individual advice?

We look forward to your email to products@ettinger.de.

Subject to change and errors.