

Article datasheet

## Batteryholder 1x Mignon "AA" cell for PCB mounting pin 13mm +/-0.5mm

Article-No.: 015.31.631

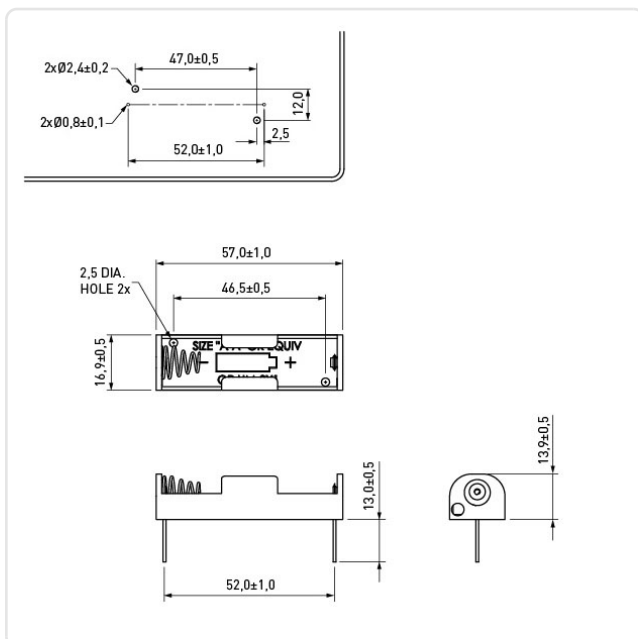


Image may be similar

Battery Type: AA-Mignon  
 Flammability Class: UL94-HB  
 Material: PP - Polypropylene  
 Material Group: Plastic  
 Model: PCB Mounting Connection  
 No. Cells: 1  
 Weight: 3.2g  
 Conformities:



You can find all information on the web on our article detail page [Batteryholder 1x Mignon "AA" cell for PCB mounting pin 13mm +/-0.5mm](#)



Would you like individual advice?

We look forward to your email to [products@ettinger.de](mailto:products@ettinger.de).

Subject to change and errors.