

Article datasheet

## Hexagon Serrated Flange Nut M6 Steel 8.8 black

Article-No.: 002.09.316

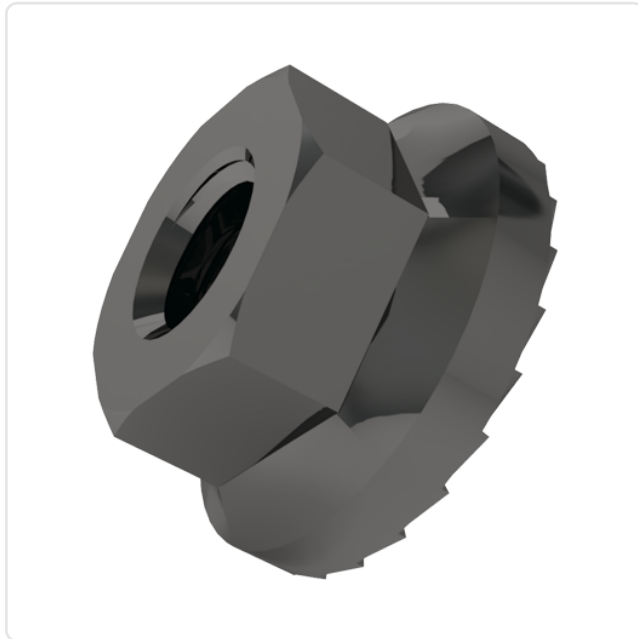
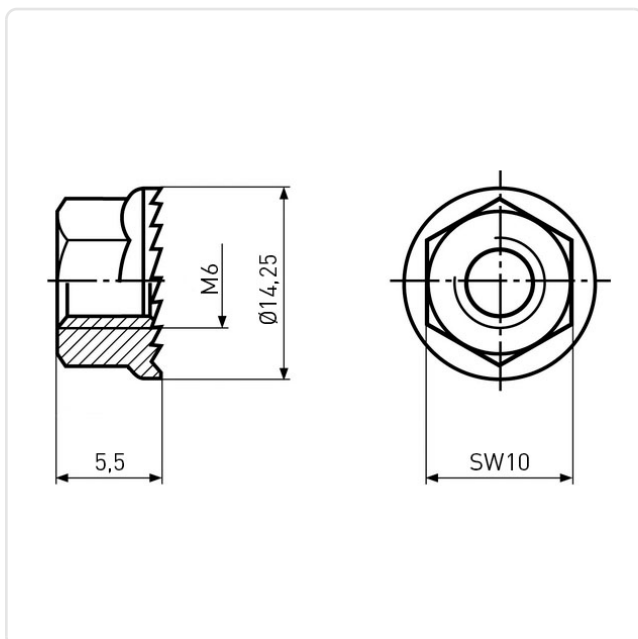


Image may be similar

AF / OD [mm]: 10  
 Finish: Galvanized, Black, 5 µm, A2R  
 Height [mm]: 5.5  
 Material: Steel 8.8  
 Material Group: Stahl  
 Thread Size: M6  
 Weight: 3.16g  
 Conformities:



You can find all information on the web on our article detail page [Hexagon Serrated Flange Nut M6 Steel 8.8 black](#)



Would you like individual advice?

We look forward to your email to [products@ettinger.de](mailto:products@ettinger.de).

Subject to change and errors.