

Article datasheet

Fuse Clip 5x20mm and 2AG Brass,tinned/witout end stops

Article-No.: 015.06.115

Manufacturer: Keystone Electronics

Manufacturer article-no.: 3621

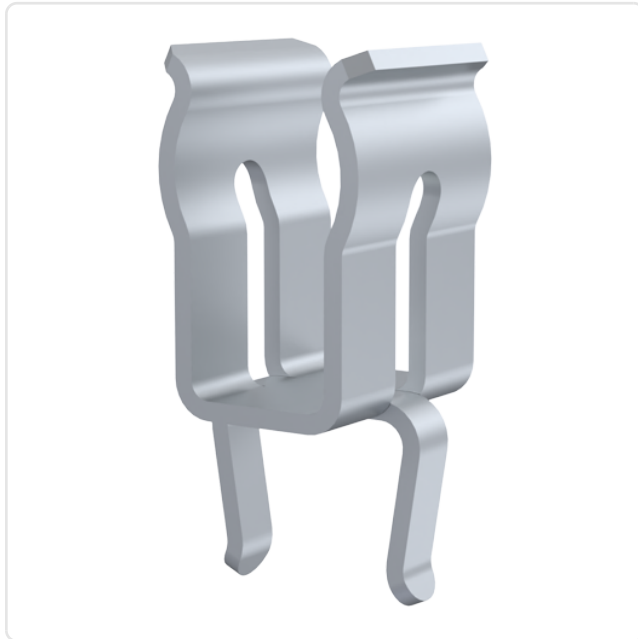


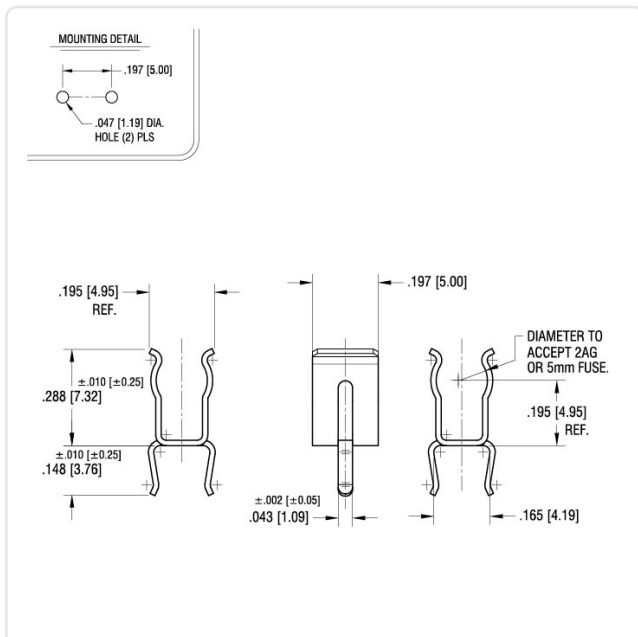
Image may be similar

Amperage [A]: 15
 Fuse Size [mm]: 5.0x20.0
 Material: Brass
 Material Group: Brass
 Model: Clip Holder
 Mounting Hole [mm]: 1.3
 Protection Code: PC1
 Weight: 0.3g
 Conformities:



You can find all information on the web on our article detail page

[Fuse Clip 5x20mm and 2AG Brass,tinned/witout end stops](#)



Would you like individual advice?

We look forward to your email to products@ettinger.de.

Subject to change and errors.