

Article datasheet

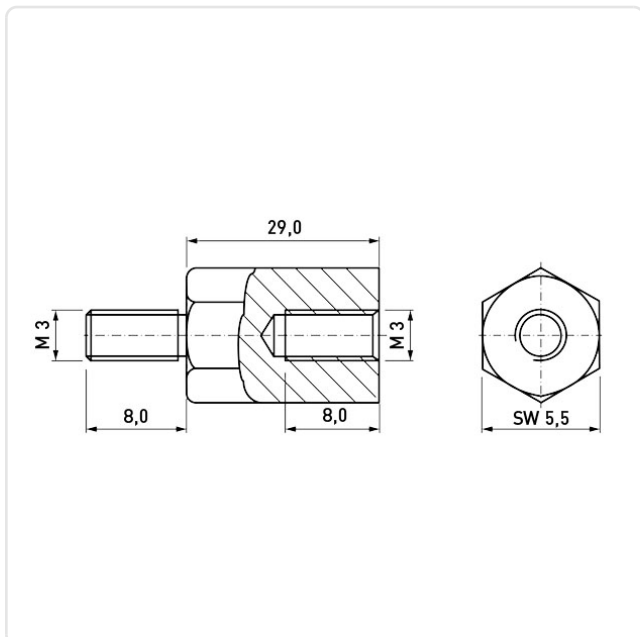
## Standoff Nickel-Plated Brass M/F AF5.5x29 F=M3x8 M=M3x8 w/o Undercut

Article-No.: 005.13.296



Image may be similar

AF / OD [mm]:	5.5
Female Thread Length [mm]:	8
Female Thread Size:	M3
Finish:	Nickel-Plated, 3 µm, E1E
Length [mm]:	29
Male Thread Length [mm]:	8
Male Thread Size:	M3
Material:	Brass CW614N / CuZn39Pb3
Material Group:	Brass
Profile:	Hexagonal
Undercut:	No
Weight:	6.14g
Conformities:	



You can find all information on the web on our article detail page

[Standoff Nickel-Plated Brass M/F AF5.5x29 F=M3x8 M=M3x8 w/o Undercut](#)

Would you like individual advice?

We look forward to your email to [products@ettinger.de](mailto:products@ettinger.de).

Subject to change and errors.