

Article datasheet

## Self-Clinching Nut M4 | 1.0 A2 Stainless Steel Passivated

Article-No.: 002.14.349

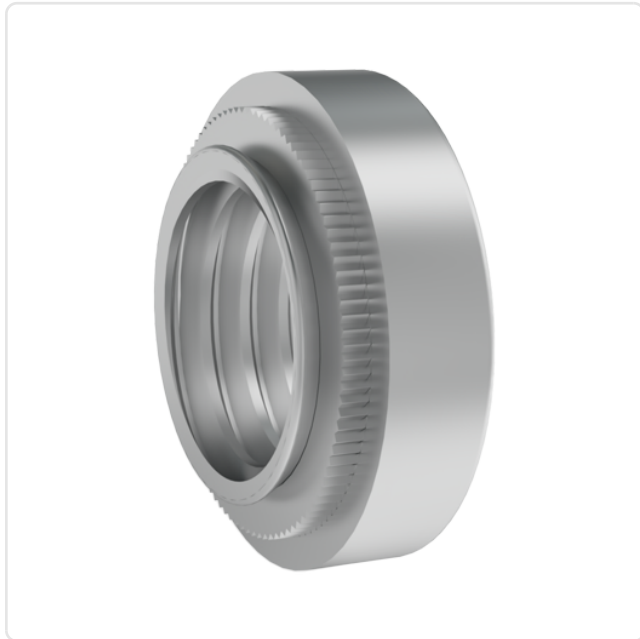
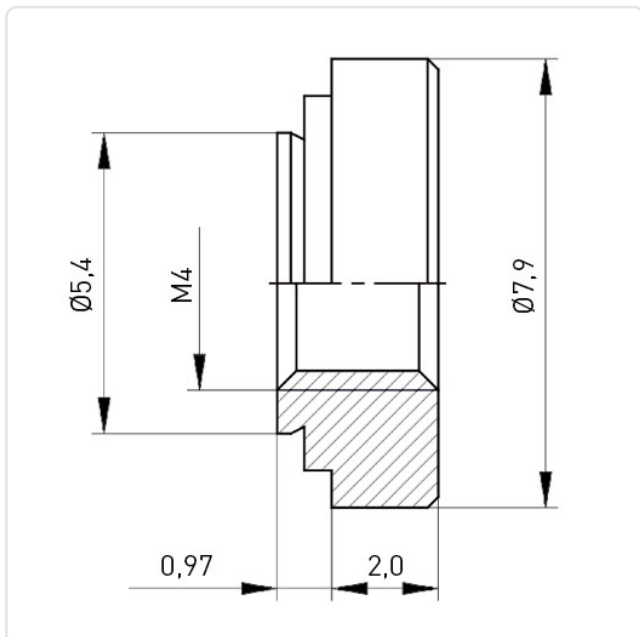


Image may be similar



Area of Application:	For Metallic Materials
Finish:	Passivated, Clear
Height [mm]:	2
Material:	Stainless Steel AISI 304 / A2
Material Group:	Stainless Steel
Minimum Edge Distance [mm]:	6.9
Outer Diameter [mm]:	7.9
Panel Hole Ø [mm]:	5.4
Panel Thickness [mm]:	1
Thread Size:	M4
Weight:	0.7g
Conformities:	



You can find all information on the web on our article detail page

[Self-Clinching Nut M4 | 1.0 A2 Stainless Steel Passivated](#)

Would you like individual advice?

We look forward to your email to [products@ettinger.de](mailto:products@ettinger.de).

Subject to change and errors.