

Article datasheet

IEC Power Inlet Snap-in 3mm with 1-pole fuseholder

Article-No.: 039.73.560



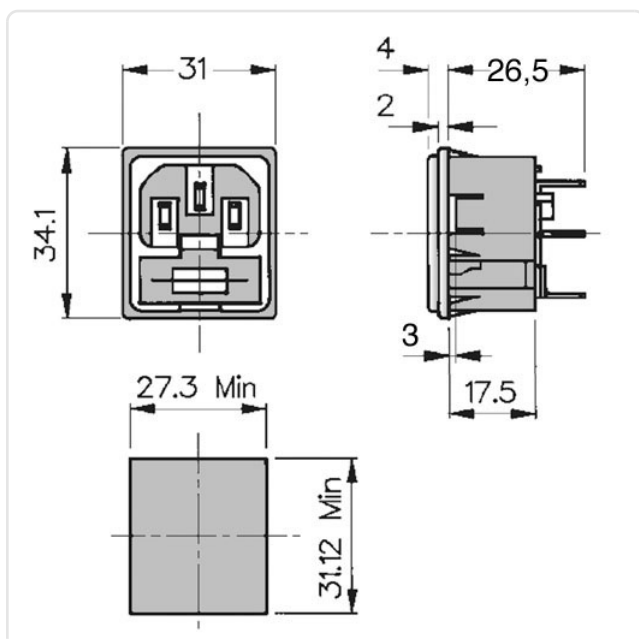
Image may be similar

Amperage [A]: 10
 Color: Black
 Connections: 4.8x0.8
 Fuse Size [mm]: 5.0x20.0
 Model: Plug, Snap-In Mounting
 Weight: 15.3g
 Conformities:



You can find all information on the web on our article detail page

[IEC Power Inlet Snap-in 3mm with 1-pole fuseholder](#)



Would you like individual advice?

We look forward to your email to products@ettinger.de.

Subject to change and errors.