

Article datasheet

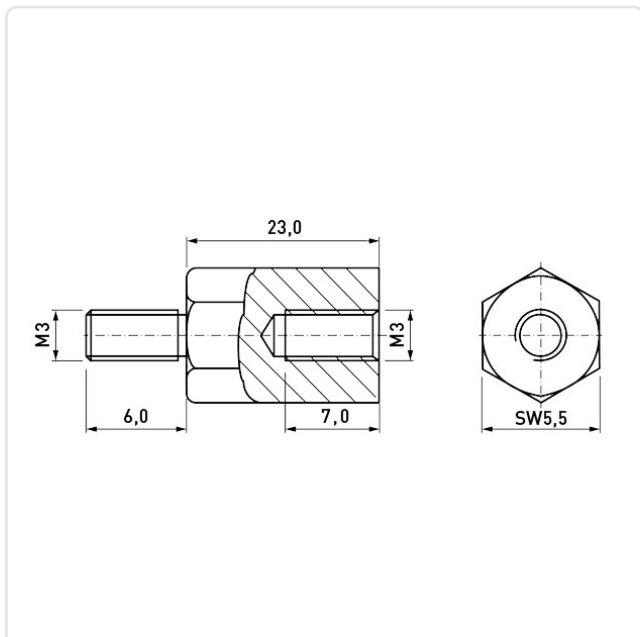
Standoff Plain Stainless Steel M/F AF5.5x23 F=M3x7 M=M3x6 w/ Undercut

Article-No.: 005.13.239



Image may be similar

| | |
|----------------------------|--|
| AF / OD [mm]: | 5.5 |
| Female Thread Length [mm]: | 7 |
| Female Thread Size: | M3 |
| Finish: | Plain |
| Length [mm]: | 23 |
| Male Thread Length [mm]: | 6 |
| Male Thread Size: | M3 |
| Material: | Stainless Steel AISI 303 / X8CrNiS18-9 |
| Material Group: | Stahl rostfrei |
| Profile: | Hexagonal |
| Undercut: | Yes |
| Weight: | 4.38g |
| Conformities: | |



You can find all information on the web on our article detail page

[Standoff Plain Stainless Steel M/F AF5.5x23 F=M3x7 M=M3x6 w/ Undercut](#)

Would you like individual advice?

We look forward to your email to products@ettinger.de.

Subject to change and errors.