

Article datasheet

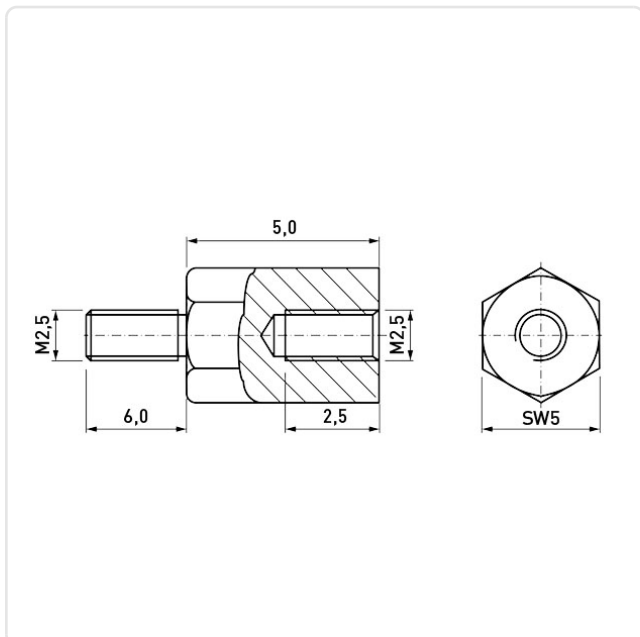
## Standoff Plain Stainless Steel M/F AF5x5 F=M2.5x2.5 M=M2.5x6 w/ Undercut

Article-No.: 005.12.059



Image may be similar

AF / OD [mm]:	5
Female Thread Length [mm]:	2.5
Female Thread Size:	M2.5
Finish:	Plain
Length [mm]:	5
Male Thread Length [mm]:	6
Male Thread Size:	M2.5
Material:	Stainless Steel AISI 303 / X8CrNiS18-9
Material Group:	Stahl rostfrei
Profile:	Hexagonal
Undercut:	Yes
Weight:	0.83g
Conformities:	



You can find all information on the web on our article detail page

[Standoff Plain Stainless Steel M/F AF5x5 F=M2.5x2.5 M=M2.5x6 w/ Undercut](#)

Would you like individual advice?

We look forward to your email to [products@ettinger.de](mailto:products@ettinger.de).

Subject to change and errors.