

Article datasheet

Hole Grommet 6.0/9.0-1.5mm PVC black

Article-No.: 014.60.544

Manufacturer: SES-Sterling

Manufacturer article-no.: 0107 0019 010

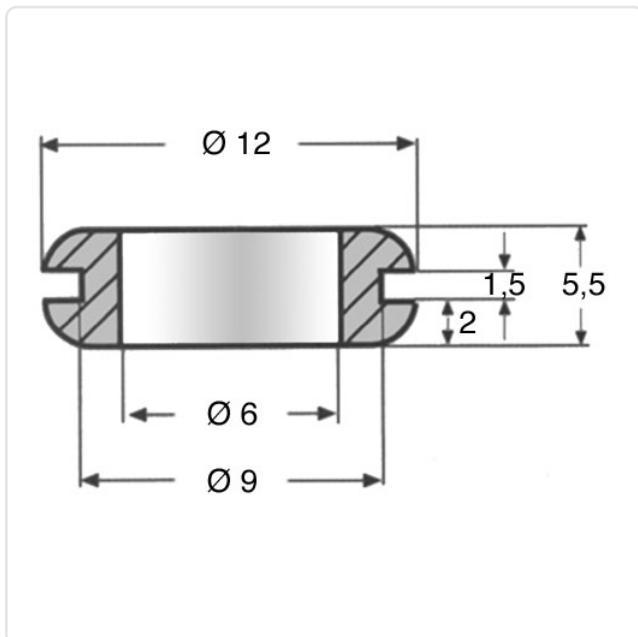


Image may be similar

Color:	Black
Inner Diameter [mm]:	6
Material:	PVC - Polyvinyl Chloride
Material Group:	Kunststoff
Max. Panel Thickness [mm]:	1.5
Mounting Hole [mm]:	9
Weight:	0.49g
Conformities:	



You can find all information on the web on our article detail page
[Hole Grommet 6.0/9.0-1.5mm PVC black](#)



Would you like individual advice?

We look forward to your email to products@ettinger.de.

Subject to change and errors.