

Article datasheet

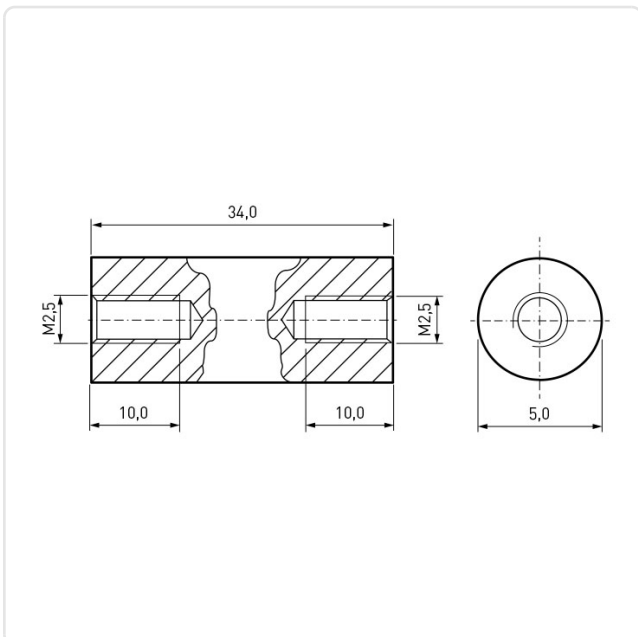
Standoff POM White F/F Ø5x34 | Thread M2.5x10 / M2.5x10

Article-No.: 005.32.734



Image may be similar

AF / OD [mm]: 5
 Color: White
 Flammability Class: UL94-HB
 Length [mm]: 34
 Material: POM - Polyoxymethylene
 Material Group: Plastic
 Profile: Round
 Thread 1 Length [mm]: 10
 Thread 1 Size: M2.5
 Thread 2 Length [mm]: 10
 Thread 2 Size: M2.5
 Conformities:



You can find all information on the web on our article detail page

[Standoff POM White F/F Ø5x34 | Thread M2.5x10 / M2.5x10](#)

Would you like individual advice?

We look forward to your email to products@ettinger.de.

Subject to change and errors.