

Article datasheet

Solder Terminal Lug $\varnothing 11,2/15 \times 16$ mm Brass silver-plated 0.5mm thick

Article-No.: 019.05.119

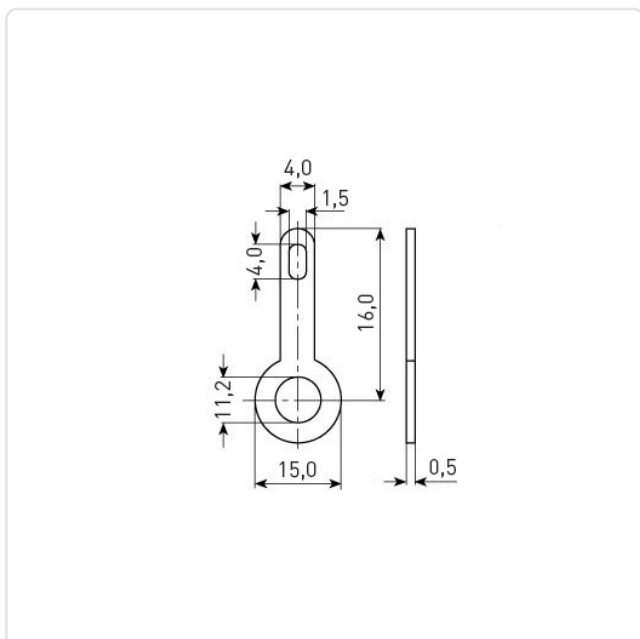


Image may be similar

Finish:	Silver-Plated
Inner Diameter [mm]:	11.2
Length [mm]:	16
Material:	Brass CW508L / CuZn37, lead-free
Material Group:	Brass
Outer Diameter [mm]:	15
Weight:	0.43g
Conformities:	<div style="display: flex; gap: 10px;"> <div style="border: 1px solid green; padding: 2px; text-align: center; color: green; font-size: 8px;">Reach COMPLIANT</div> <div style="border: 1px solid green; padding: 2px; text-align: center; color: green; font-size: 8px;">RoHS COMPLIANT</div> <div style="border: 1px solid green; padding: 2px; text-align: center; color: green; font-size: 8px;">SVHC COMPLIANT</div> </div>



You can find all information on the web on our article detail page
[Solder Terminal Lug \$\varnothing 11,2/15 \times 16\$ mm Brass silver-plated 0.5mm thick](#)



Would you like individual advice?

We look forward to your email to products@ettinger.de.

Subject to change and errors.