

Article datasheet

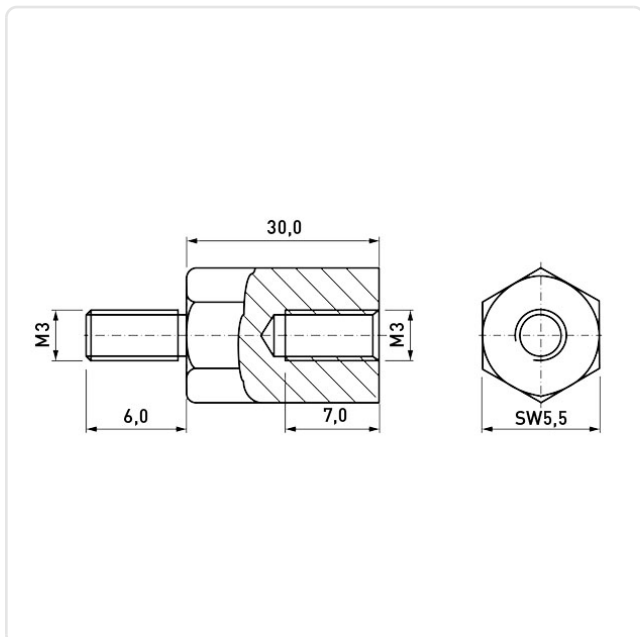
## Standoff Galvanized Steel M/F AF5.5x30 F=M3x7 M=M3x6 w/ Undercut

Article-No.: 005.13.301



Image may be similar

AF / OD [mm]:	5.5
Female Thread Length [mm]:	7
Female Thread Size:	M3
Finish:	Galvanized, Blue, 5 µm, A2K
Length [mm]:	30
Male Thread Length [mm]:	6
Male Thread Size:	M3
Material:	Steel AISI 12L13 / 11SMnPb30
Material Group:	NULL
Profile:	Hexagonal
Undercut:	NULL
Weight:	5.8g
Conformities:	



You can find all information on the web on our article detail page

[Standoff Galvanized Steel M/F AF5.5x30 F=M3x7 M=M3x6 w/ Undercut](#)

Would you like individual advice?

We look forward to your email to [products@ettinger.de](mailto:products@ettinger.de).

Subject to change and errors.