

Article datasheet

Batteryholder 1xMono Cell (D) Polyamid-GF black UL94-V0

Article-No.: 015.51.111

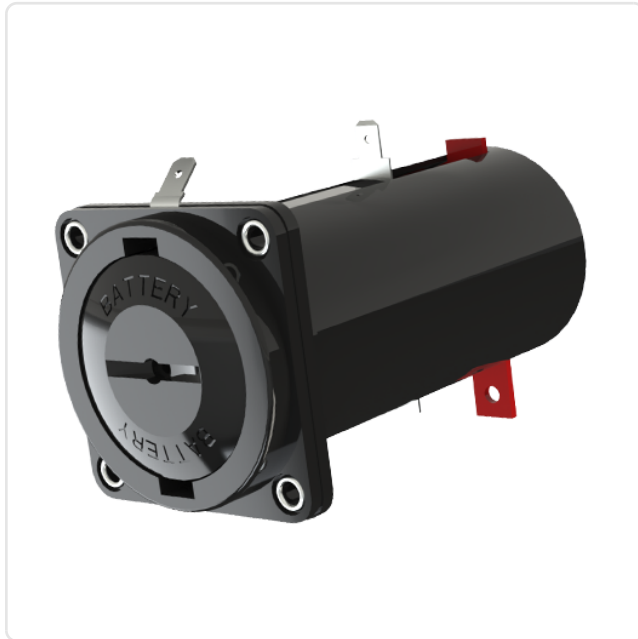


Image may be similar

Battery Type: D-Mono

Material: PA 6.6 25% GF

Model: Solder Tag Connection

No. Cells: 1

Weight: 50.2g

Conformities:



You can find all information on the web on our article detail page

[Batteryholder 1xMono Cell \(D\) Polyamid-GF black UL94-V0](#)

Would you like individual advice?

We look forward to your email to products@ettinger.de.

Subject to change and errors.

