

Article datasheet

Set Screw DIN438/ISO7436 M4x10 ST-4.8 Zinc Slotted Cup Point

Article-No.: 001.10.443



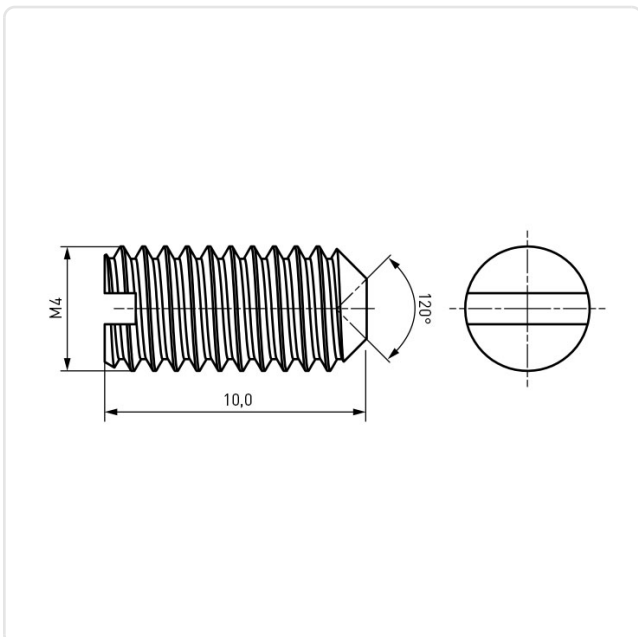
Image may be similar

DIN/ISO: ISO7436
 Drive Type: Slotted
 Finish: Galvanized, Blue, 5 µm, A2K
 Length [mm]: 10
 Material: Steel 4.8
 Material Group: Stahl
 Point Type: Cup Point
 Thread Size: M4
 Weight: 0.69g
 Conformities:



You can find all information on the web on our article detail page

[Set Screw DIN438/ISO7436 M4x10 ST-4.8 Zinc Slotted Cup Point](#)



Would you like individual advice?

We look forward to your email to products@ettinger.de.

Subject to change and errors.