

Article datasheet

Thread-Locking Screw ISO14583 M3x10 Galvanized Steel 4.8 Torx Blue PA Patch

Article-No.: 083.55.346

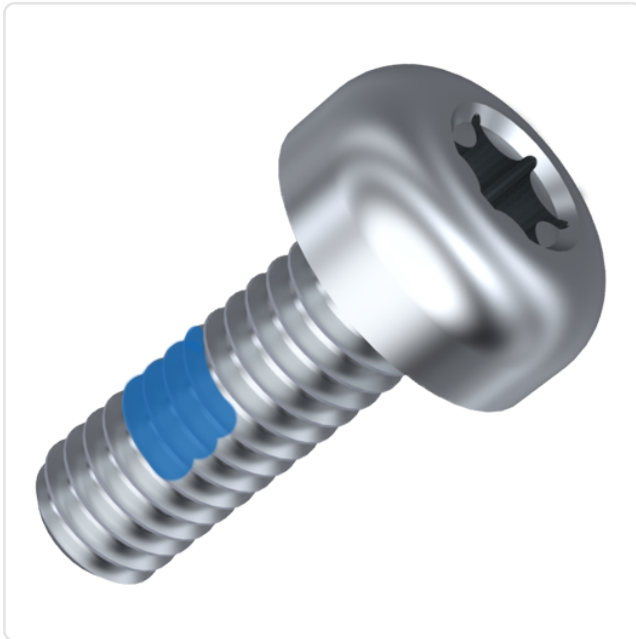
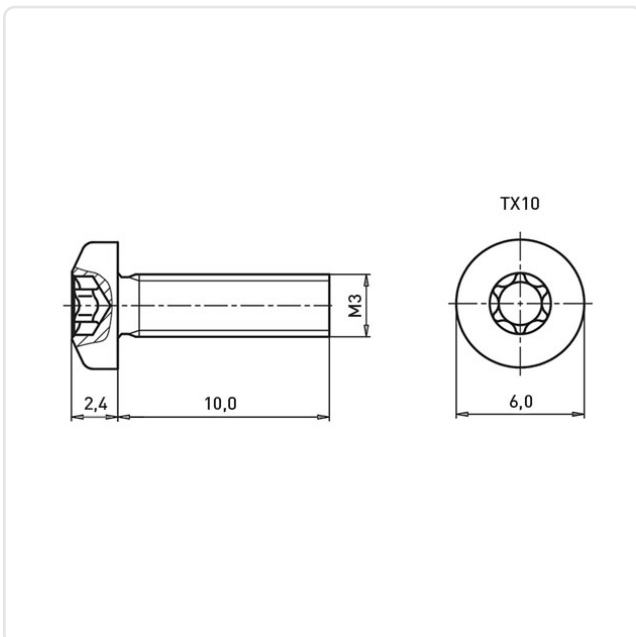


Image may be similar

Actuator Size:	Torx T10
DIN/ISO:	ISO14583
Drive Type:	TORX
Finish:	Galvanized, Blue, 5 µm, A2K
Head Diameter [mm]:	5.6
Head Height [mm]:	2.4
Head Shape:	Pan Head
Length [mm]:	10
Material:	Steel 4.8
Material Group:	NULL
Thread Locking:	Blue Nylon Patch
Thread Size:	M3
Weight:	0.78g
Conformities:	



You can find all information on the web on our article detail page

[Thread-Locking Screw ISO14583 M3x10 Galvanized Steel 4.8 Torx Blue PA Patch](#)

Would you like individual advice?

We look forward to your email to products@ettinger.de.

Subject to change and errors.