

Article datasheet

Fuseholder 5x20 Type OGN Screw/rivet fasten./Pin-D. 25,0mm

Article-No.: 015.01.555

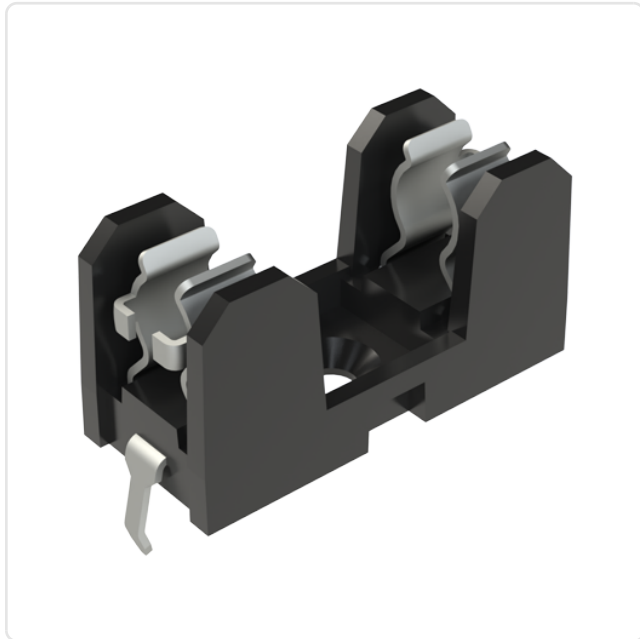


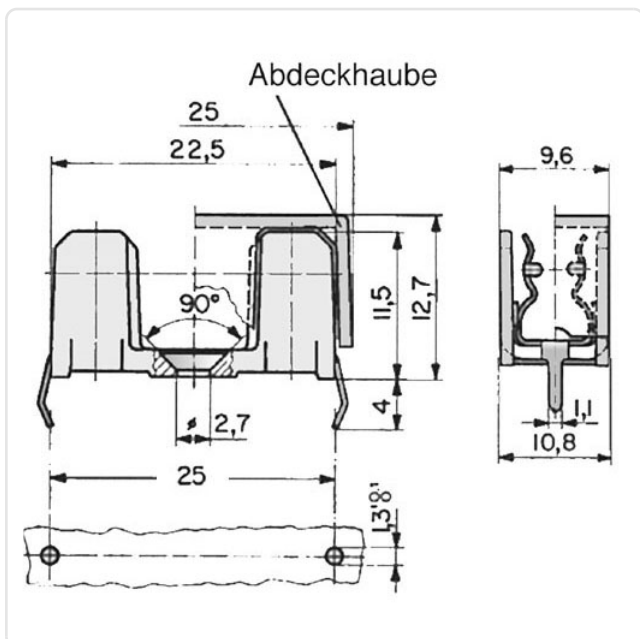
Image may be similar

Amperage [A]: 10
 Fuse Size [mm]: 5.0x20.0
 Material: Plastic
 Material Group: Plastic
 Model: Fuse Holder
 Mounting Hole [mm]: 1.3
 Protection Code: PC1
 Weight: 2.1g
 Conformities:



You can find all information on the web on our article detail page

[Fuseholder 5x20 Type OGN Screw/rivet fasten./Pin-D. 25,0mm](#)



Would you like individual advice?

We look forward to your email to products@ettinger.de.

Subject to change and errors.