

Article datasheet

Coincell Holder for 1x ø16mm cell LCP Glass Filled UL94-V0

Article-No.: 015.61.161

Manufacturer: Keystone Electronics

Manufacturer article-no.: 502



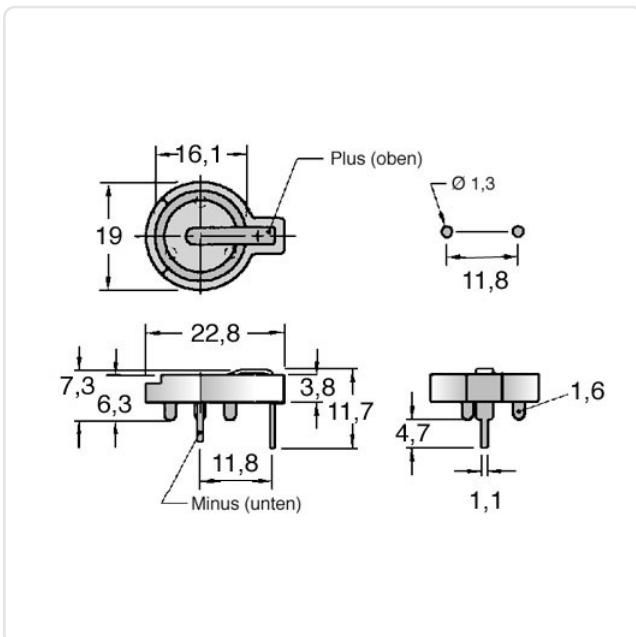
Image may be similar

Battery Type: Cell Dia. 16mm
 Cell diameter [mm]: Ø 16.0
 Finish: Nickel-Plated, 3 µm, E1E
 Flammability Class: UL94-V0
 Material: PBT - Polybutylene Terephthalate
 Material Group: Plastic
 Model: PCB Mounting Connection
 No. Cells: 1
 Weight: 1.16g
 Conformities:



You can find all information on the web on our article detail page

[Coincell Holder for 1x ø16mm cell LCP Glass Filled UL94-V0](#)



Would you like individual advice?

We look forward to your email to products@ettinger.de.

Subject to change and errors.