

Article datasheet

Knurled Nut M10x0.75 Anodized Aluminum

Article-No.: 062.10.107

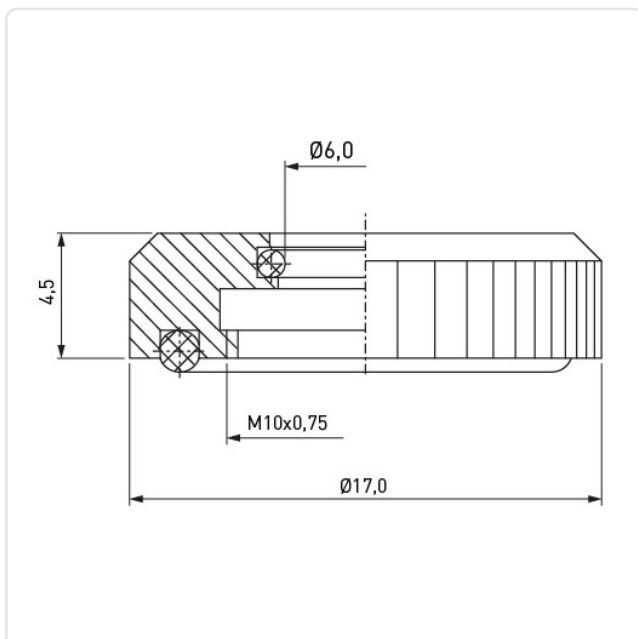


Image may be similar

AF / OD [mm]: 17
 Finish: Anodized, Clear
 Height [mm]: 4.5
 Material: Aluminum ENAW-6060 / AlMgSi, lead-free
 Material Group: Aluminum
 Thread Size: M10x0.75
 Weight: 1.84g
 Conformities:



You can find all information on the web on our article detail page
[Knurled Nut M10x0.75 Anodized Aluminum](#)



Would you like individual advice?

We look forward to your email to products@ettinger.de.

Subject to change and errors.