




Article datasheet

Fast On DIN 46247 2.8x0.5mm PVC yellow 0.1-0.5mm² AWG26-22

Article-No.: 012.25.104



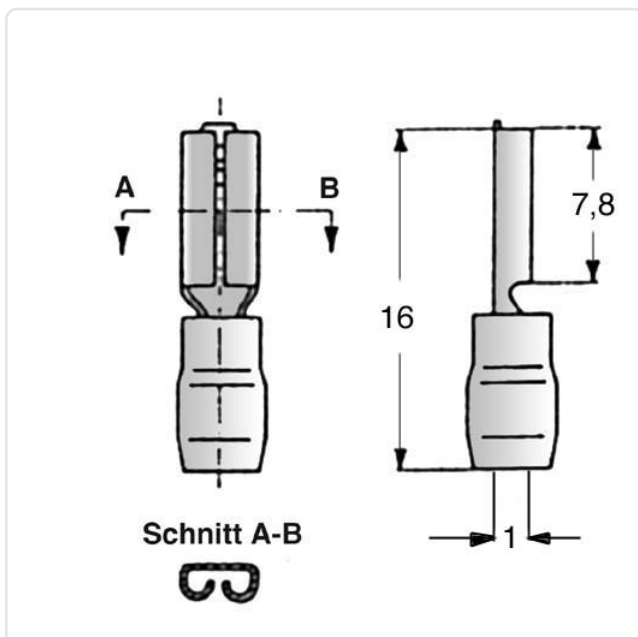
Image may be similar

Color:	Yellow
DIN/ISO:	DIN46247
Finish:	Tin-Plated
Insulation:	PVC
Length [mm]:	16
Material:	Brass lead-free
Size [mm]:	2.8x0.5
Wire Cross Section [mm ²]:	0.1-0.5
Weight:	0.36g
Conformities:	  



You can find all information on the web on our article detail page

[Fast On DIN 46247 2.8x0.5mm PVC yellow 0.1-0.5mm² AWG26-22](#)



Would you like individual advice?

We look forward to your email to products@ettinger.de.

Subject to change and errors.