

Article datasheet

Mounting Bracket 1x M3 / 1x \varnothing 3.5mm Steel,zinc-plated/14.5x12x6mm

Article-No.: 014.86.143



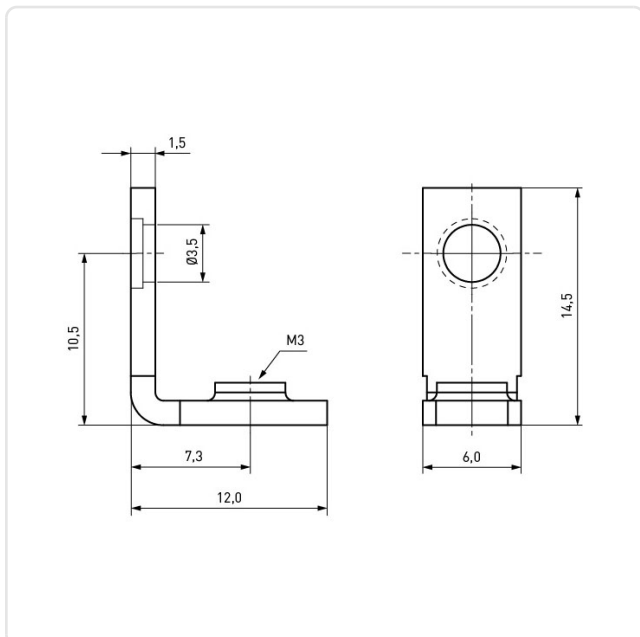
Image may be similar

Finish: Galvanized, Blue, 5 μ m, A2K
Material: Steel
Material Group: Stahl
Model: Right-Angled with Thread
Thread 1 / Hole 1: \varnothing 3,5
Thread 2 / Hole 2: M3
Width [mm]: 6
Weight: 1.4g
Conformities:



You can find all information on the web on our article detail page

[Mounting Bracket 1x M3 / 1x \$\varnothing\$ 3.5mm Steel,zinc-plated/14.5x12x6mm](#)



Would you like individual advice?

We look forward to your email to products@ettinger.de.

Subject to change and errors.