

Article datasheet

Push-In Foot Ø9.0x8.5 NBR black

Article-No.: 017.53.150

Manufacturer: SES-Sterling

Manufacturer article-no.: 0254-0004-010



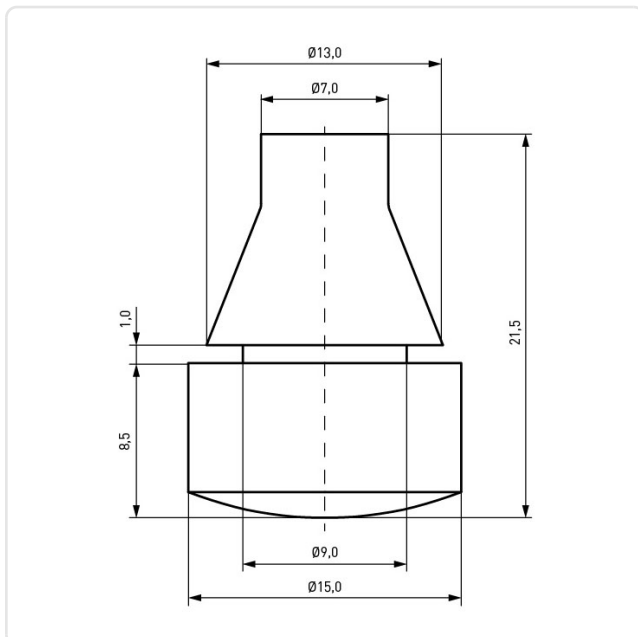
Image may be similar

Color: Black
 Diameter [mm]: 9
 Height [mm]: 8.5
 Material: NBR - Nitrile Butadiene Rubber
 Material Group: Plastic
 Panel Hole Ø [mm]: 8
 Panel Thickness [mm]: 1
 Weight: 3.12g
 Conformities:



You can find all information on the web on our article detail page

[Push-In Foot Ø9.0x8.5 NBR black](#)



Would you like individual advice?

We look forward to your email to products@ettinger.de.

Subject to change and errors.