

Article datasheet

## Pan Head Screw ISO7045 M2.5x16 Stainless Steel A4 Cross Recessed

Article-No.: 001.17.269

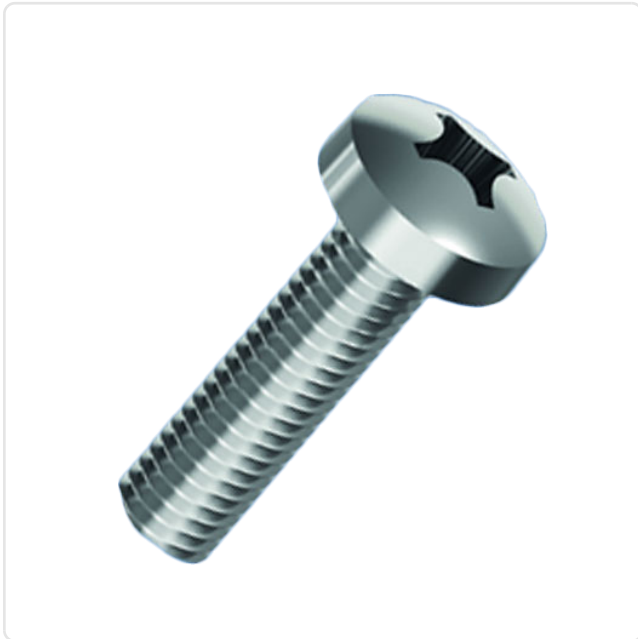
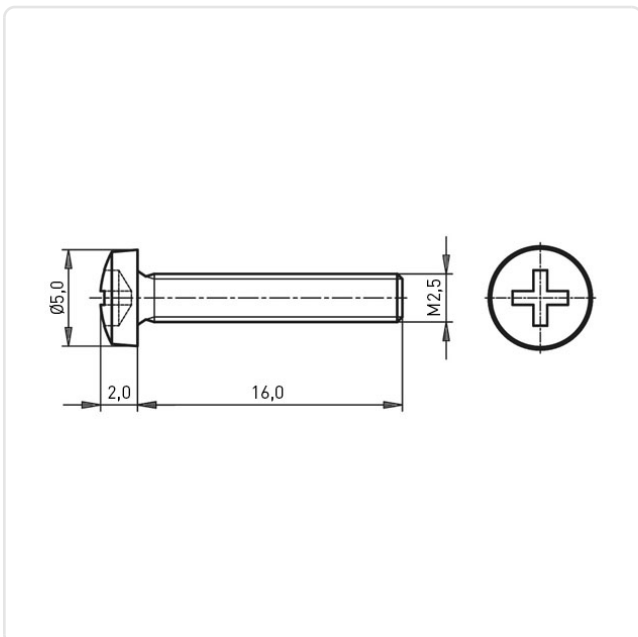


Image may be similar

Actuator Size:	Phillips PH1
DIN/ISO:	ISO7045
Drive Type:	Cross Recess / Phillips-H
Finish:	Plain
Head Diameter [mm]:	5
Head Height [mm]:	2.1
Head Shape:	Pan Head
Length [mm]:	16
Material:	Stainless Steel AISI 316 / A4
Material Group:	Stainless Steel
Thread Size:	M2.5
Weight:	0.6g
Conformities:	



You can find all information on the web on our article detail page

[Pan Head Screw ISO7045 M2.5x16  
Stainless Steel A4 Cross Recessed](#)

Would you like individual advice?

We look forward to your email to [products@ettinger.de](mailto:products@ettinger.de).

Subject to change and errors.