

Article datasheet

Solder terminal 2.8x7.5mm Bronze tinned 0.5mm thick

Article-No.: 013.13.870

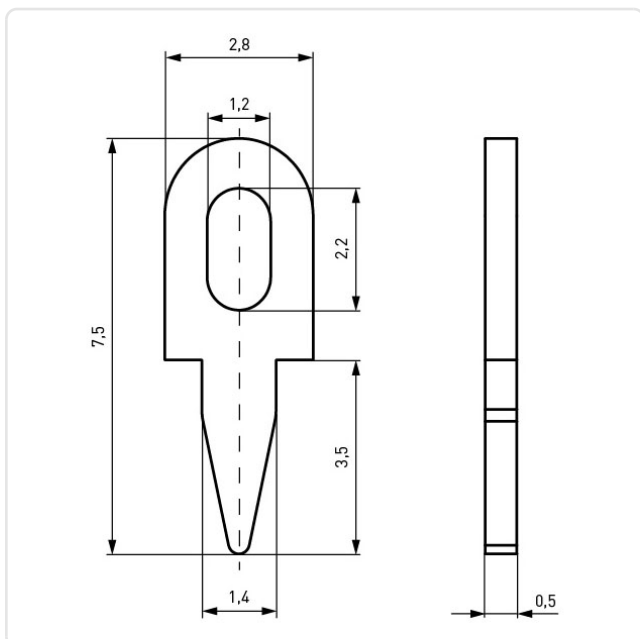


Image may be similar

Finish: Tin-Plated
 Length [mm]: 7.5
 Material: Bronze lead-free
 PCB Hole Ø [mm]: 1.3
 Thickness [mm]: 0.5
 Width [mm]: 2.8
 Weight: 0.05g
 Conformities:



You can find all information on the web on our article detail page
[Solder terminal 2.8x7.5mm Bronze tinned 0.5mm thick](#)



Would you like individual advice?

We look forward to your email to products@ettinger.de.

Subject to change and errors.