




Article datasheet

Soldering Strip 12-pole | M3 Ceramic C221 | Tinned Bronze

Article-No.: 013.82.812



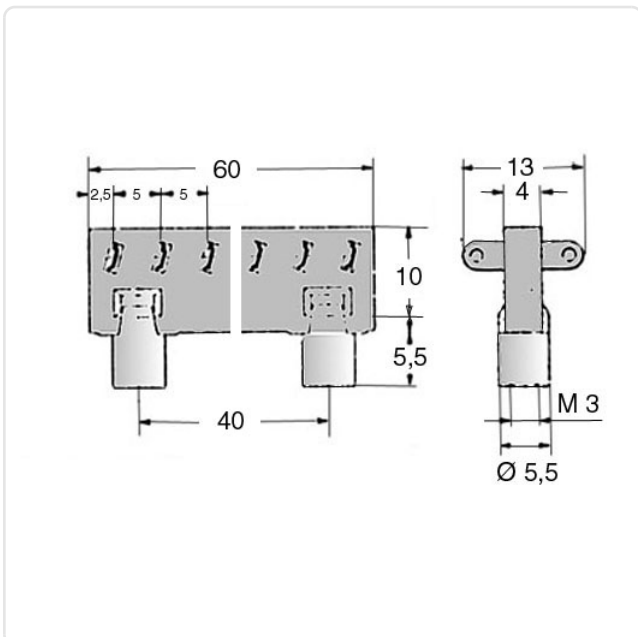
Image may be similar

Distance Middle/Middle [mm]:	40
Finish:	Tin-Plated
Insulation:	Ceramic
Length [mm]:	60
Material:	Bronze
Material Group:	Bronze
Thread Length [mm]:	5.5
Thread Size:	M3
Weight:	10.7g
Conformities:	<div style="display: flex; justify-content: space-around; align-items: center;"> <div style="text-align: center;">  <p>SVHC COMPLIANT</p> </div> <div style="text-align: center;">  <p>Reach COMPLIANT</p> </div> <div style="text-align: center;">  <p>RoHS COMPLIANT</p> </div> </div>



You can find all information on the web on our article detail page

[Soldering Strip 12-pole | M3 Ceramic C221 | Tinned Bronze](#)



Would you like individual advice?

We look forward to your email to products@ettinger.de.

Subject to change and errors.