

Article datasheet

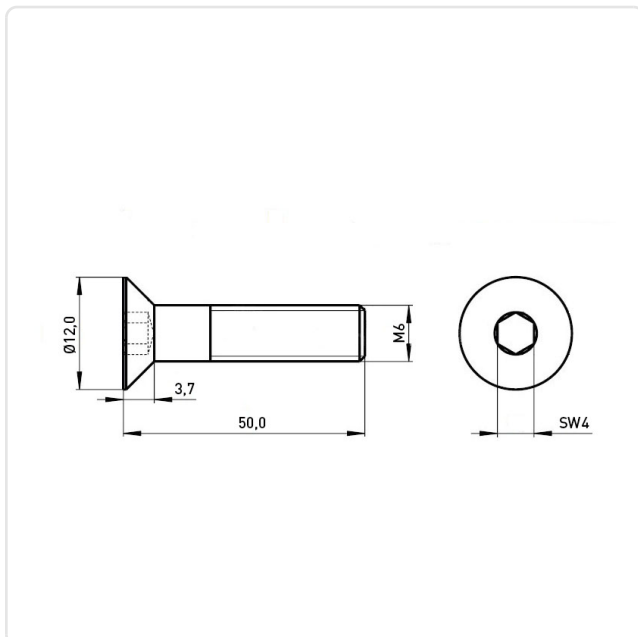
Countersunk Screw ISO10642 M6x50 A2 Plain Stainless Steel Hexagon Socket

Article-No.: 082.94.662



Image may be similar

| | |
|---------------------|-------------------------------|
| Actuator Size: | Hexagon Socket Hex4 |
| DIN/ISO: | ISO10642 |
| Drive Type: | Hexagon Socket |
| Finish: | Plain |
| Head Diameter [mm]: | 13.44 |
| Head Height [mm]: | 3.72 |
| Head Shape: | Countersunk Head |
| Length [mm]: | 50 |
| Material: | Stainless Steel AISI 304 / A2 |
| Material Group: | Stahl rostfrei |
| Thread Size: | M6 |
| Weight: | 9.9g |
| Conformities: | |



You can find all information on the web on our article detail page

[Countersunk Screw ISO10642 M6x50 A2 Plain Stainless Steel Hexagon Socket](#)

Would you like individual advice?

We look forward to your email to products@ettinger.de.

Subject to change and errors.