

Article datasheet

Diaphragm Hole Grommet 18.8/22.0-1.5mm PVC black -30°/+50°C

Article-No.: 014.68.418



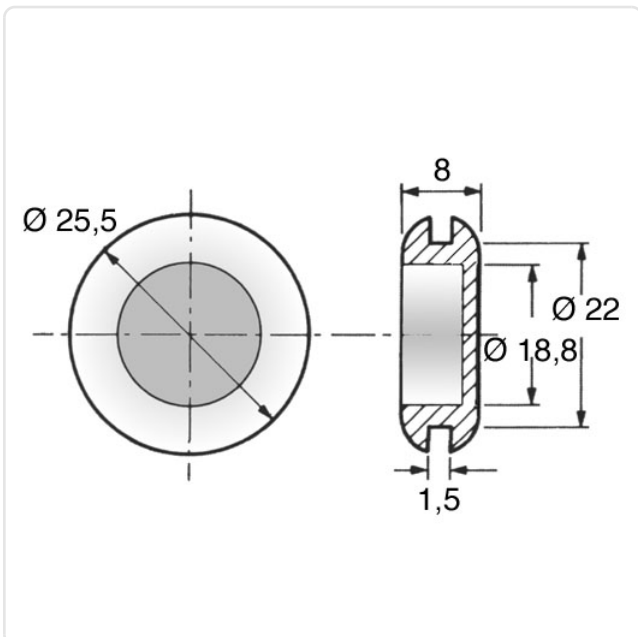
Image may be similar

Color:	Black
Height [mm]:	8
Inner Diameter [mm]:	18.8
Material:	PVC - Polyvinyl Chloride
Material Group:	Plastic
Max. Panel Thickness [mm]:	1.5
Model:	Diaphragm Grommet, Closed
Mounting Hole [mm]:	22
Weight:	2.63g
Conformities:	<div style="display: flex; gap: 10px;"> <div style="border: 1px solid green; padding: 2px; font-size: 8px;">Reach COMPLIANT</div> <div style="border: 1px solid green; padding: 2px; font-size: 8px;">RoHS COMPLIANT</div> <div style="border: 1px solid green; padding: 2px; font-size: 8px;">SVHC COMPLIANT</div> </div>



You can find all information on the web on our article detail page

[Diaphragm Hole Grommet 18.8/22.0-1.5mm PVC black -30°/+50°C](#)



Would you like individual advice?

We look forward to your email to products@ettinger.de.

Subject to change and errors.