

Article datasheet

**Solder Terminal Pin  $\varnothing 1.3 \times 15.5$ mm Brass silver-plated with square press-in**

Article-No.: 013.14.449



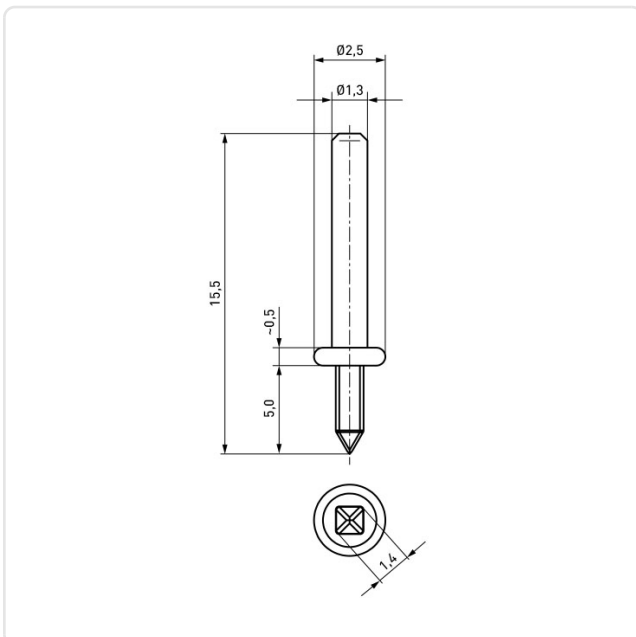
Image may be similar

Diameter [mm]:	1.3
Finish:	Silver-Plated
Length [mm]:	15.5
Material:	Brass CW508L / CuZn37, lead-free
Material Group:	Brass
PCB Hole $\varnothing$ [mm]:	1.3
Plug-In Length [mm]:	10
Weight:	0.18g
Conformities:	



You can find all information on the web on our article detail page

[Solder Terminal Pin  \$\varnothing 1.3 \times 15.5\$ mm Brass silver-plated with square press-in](#)



Would you like individual advice?

We look forward to your email to [products@ettinger.de](mailto:products@ettinger.de).

Subject to change and errors.