

Article datasheet

Hexagon Nut DIN934/ISO4032 M2.5 Galvanized Steel 8

Article-No.: 002.10.021

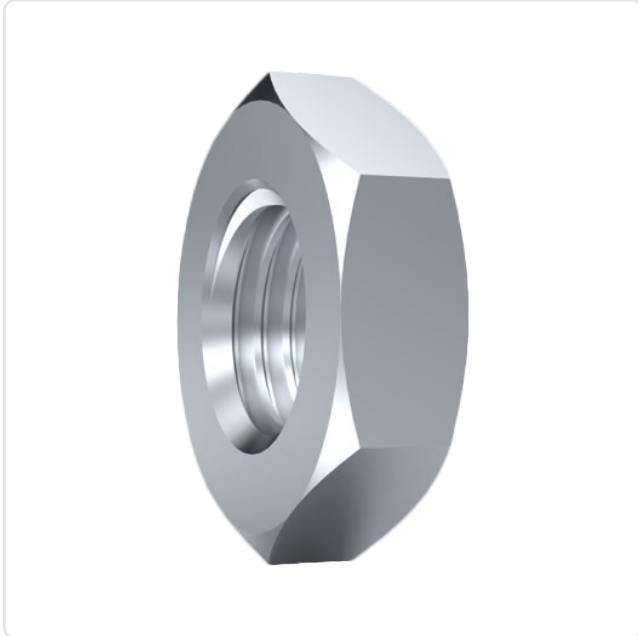
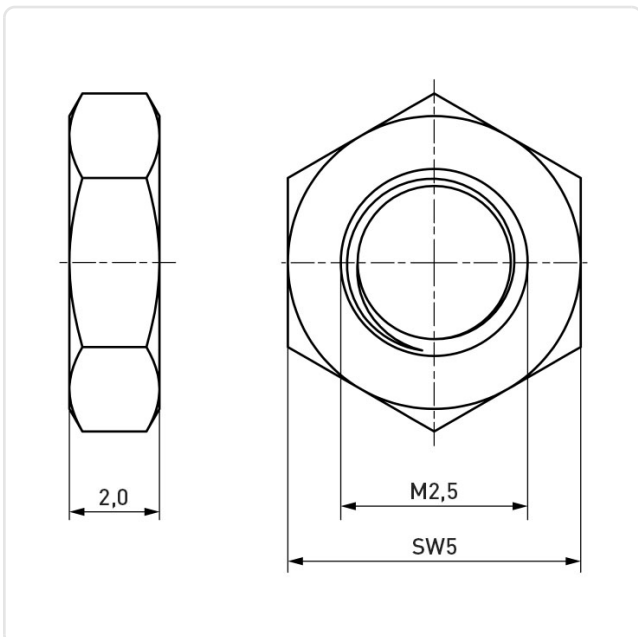


Image may be similar

AF / OD [mm]: 5
DIN/ISO: ISO4032
Finish: Galvanized, Blue, 5 µm, A2K
Height [mm]: 2
Material: Steel - Grade 8, lead-free
Thread Size: M2.5
Weight: 0.23g
Conformities:



You can find all information on the web on our article detail page
[Hexagon Nut DIN934/ISO4032 M2.5 Galvanized Steel 8](#)



Would you like individual advice?

We look forward to your email to products@ettinger.de.

Subject to change and errors.