

Article datasheet

Knurled Knobs / for Hex Screws / $\varnothing 17\text{mm} \times 6.5\text{mm}$ / black

Article-No.: 002.39.050



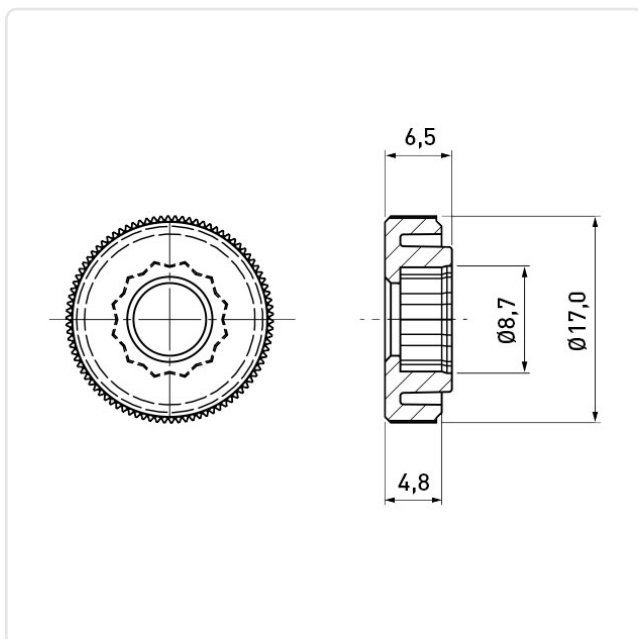
Image may be similar

Color: Black
 Diameter [mm]: 17
 Flammability Class: UL94-HB
 Height [mm]: 6.5
 Material: POM - Polyoxymethylene
 Material Group: Plastic
 Thread Size: M5
 Weight: 1.11g
 Conformities:



You can find all information on the web on our article detail page

[Knurled Knobs / for Hex Screws / \$\varnothing 17\text{mm} \times 6.5\text{mm}\$ / black](#)



Would you like individual advice?

We look forward to your email to products@ettinger.de.

Subject to change and errors.