

Article datasheet

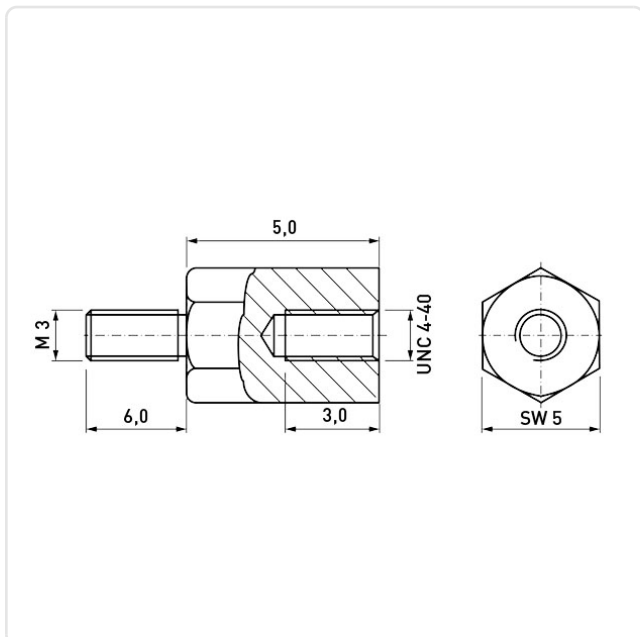
Standoff Yellow Galvanized Steel M/F AF5x5 F=4-40x3 M=M3x6 w/ UC

Article-No.: 005.17.344



Image may be similar

AF / OD [mm]:	5
Female Thread Length [mm]:	3
Female Thread Size:	UNC4-40
Finish:	Galvanized, Yellow, 8 µm, A3G
Length [mm]:	5
Male Thread Length [mm]:	6
Male Thread Size:	M3
Material:	Steel AISI 12L13 / 11SMnPb30
Material Group:	Stahl
Profile:	Hexagonal
Undercut:	Yes
Weight:	0.87g
Conformities:	



You can find all information on the web on our article detail page

[Standoff Yellow Galvanized Steel M/F AF5x5 F=4-40x3 M=M3x6 w/ UC](#)

Would you like individual advice?

We look forward to your email to products@ettinger.de.

Subject to change and errors.