

Article datasheet

Cable Tie Holder 19x19mm Polyamide 66 black UL94-V0

Article-No.: 072.59.135

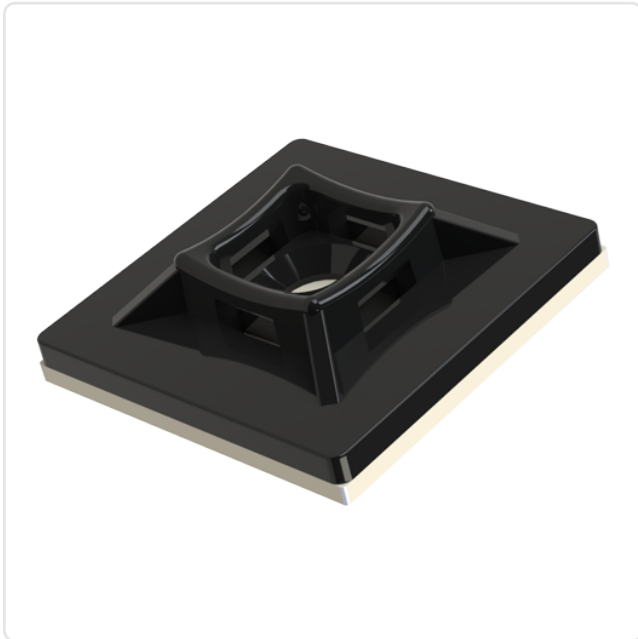


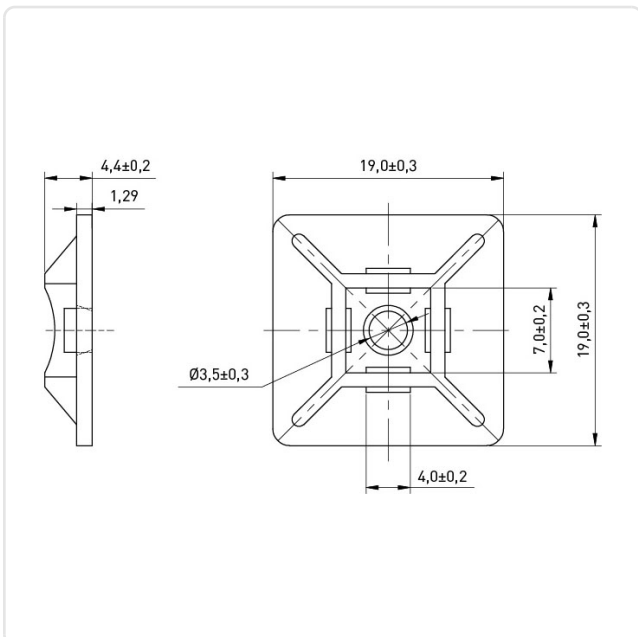
Image may be similar

Cable Tie Width max. [mm]:	6.5
Color:	Black
Flammability Class:	UL94-V0
Height [mm]:	4.4
Length [mm]:	19
Material:	PA 6.6
Material Group:	Plastic
Model:	Fastening Plate, Self-Adhesive
Width [mm]:	19
Weight:	0.7g
Conformities:	<div style="display: flex; justify-content: space-around; align-items: center;"> <div style="border: 1px solid black; padding: 2px; text-align: center;">Reach COMPLIANT ✓</div> <div style="border: 1px solid black; padding: 2px; text-align: center;">RoHS COMPLIANT ✓</div> <div style="border: 1px solid black; padding: 2px; text-align: center;">SVHC COMPLIANT ✓</div> </div>



You can find all information on the web on our article detail page

[Cable Tie Holder 19x19mm Polyamide 66 black UL94-V0](#)



Would you like individual advice?

We look forward to your email to products@ettinger.de.

Subject to change and errors.