

Article datasheet

Hole Grommet $\varnothing 4.5/6.5 \times 1.2$ mm panel PVC black RAL9005

Article-No.: 014.60.232

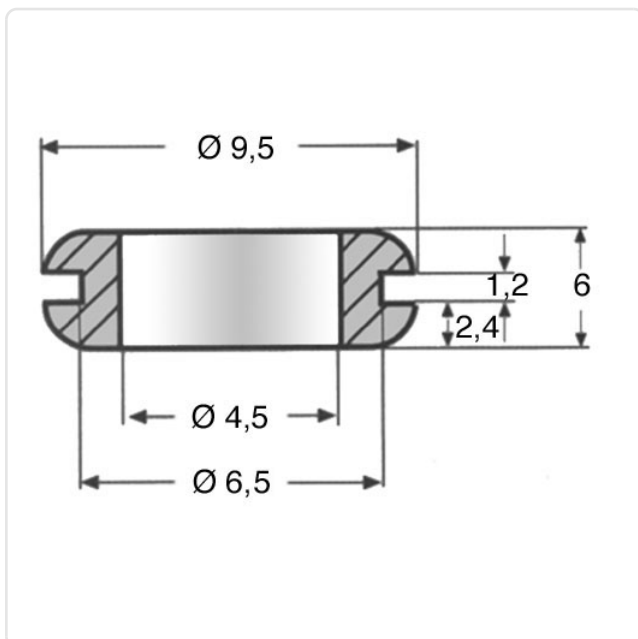


Image may be similar

Color:	Black
Inner Diameter [mm]:	4.5
Material:	PVC - Polyvinyl Chloride
Material Group:	Kunststoff
Max. Panel Thickness [mm]:	1.2
Mounting Hole [mm]:	6.5
Weight:	0.3g
Conformities:	<div style="display: flex; gap: 10px;"> <div style="border: 1px solid green; padding: 2px; font-size: 8px;">SVHC COMPLIANT</div> <div style="border: 1px solid green; padding: 2px; font-size: 8px;">Reach COMPLIANT</div> <div style="border: 1px solid green; padding: 2px; font-size: 8px;">RoHS COMPLIANT</div> </div>



You can find all information on the web on our article detail page
[Hole Grommet \$\varnothing 4.5/6.5 \times 1.2\$ mm panel PVC black RAL9005](#)



Would you like individual advice?

We look forward to your email to products@ettinger.de.

Subject to change and errors.