

Article datasheet

## Hexagon Head Screw ISO4017 M5x20 Steel 8.8 Zinc Plated

Article-No.: 001.13.571

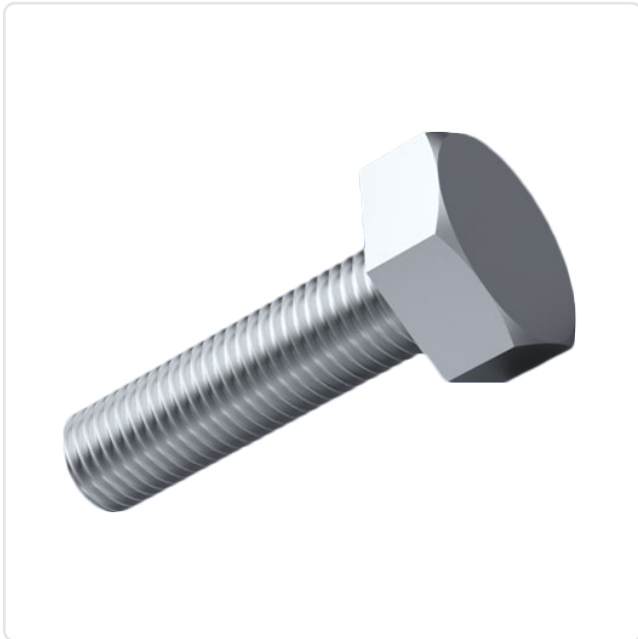
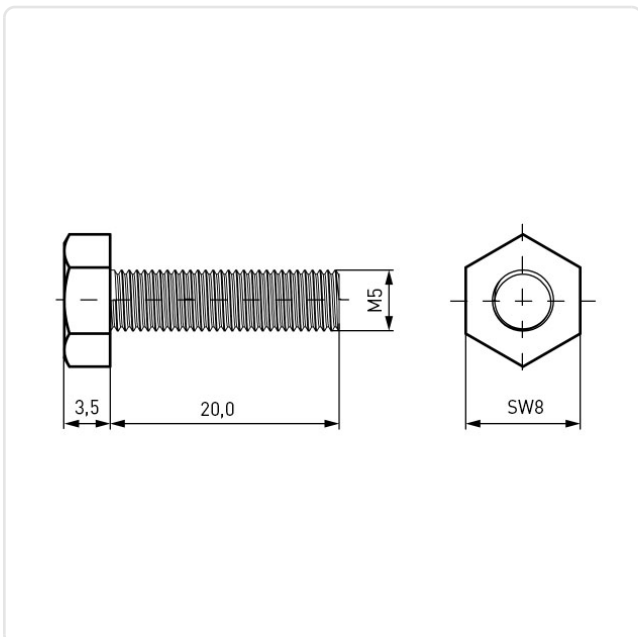


Image may be similar

Actuator Size:	Hexagon Hex8
DIN/ISO:	ISO4017
Drive Type:	Hexagon
Finish:	Galvanized, Blue, 5 µm, A2K
Head Diameter [mm]:	8
Head Height [mm]:	3.5
Head Shape:	Hexagon Head
Length [mm]:	20
Material:	Steel 8.8, lead-free
Material Group:	Steel
Thread Size:	M5
Weight:	3.84g
Conformities:	  



You can find all information on the web on our article detail page

[Hexagon Head Screw ISO4017 M5x20 Steel 8.8 Zinc Plated](#)

Would you like individual advice?

We look forward to your email to [products@ettinger.de](mailto:products@ettinger.de).

Subject to change and errors.