

Article datasheet

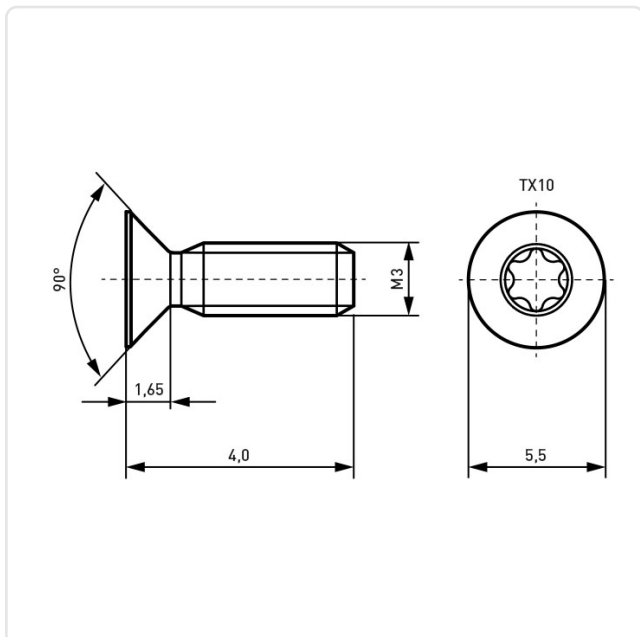
## Countersunk Screw ISO14581 M3x4 A2 Plain Stainless Steel Torx

Article-No.: 001.60.302



Image may be similar

Actuator Size:	Torx T10
DIN/ISO:	ISO14581
Drive Type:	TORX
Finish:	Plain
Head Diameter [mm]:	5.5
Head Height [mm]:	1.65
Head Shape:	Countersunk Head
Length [mm]:	4
Material:	Stainless Steel AISI 304 / A2
Material Group:	Stahl rostfrei
Thread Size:	M3
Weight:	0.3g
Conformities:	<div style="display: flex; gap: 10px;"> <div style="border: 1px solid green; padding: 2px; font-size: 8px;">Reach COMPLIANT</div> <div style="border: 1px solid green; padding: 2px; font-size: 8px;">RoHS COMPLIANT</div> </div>



You can find all information on the web on our article detail page

[Countersunk Screw ISO14581 M3x4 A2 Plain Stainless Steel Torx](#)

Would you like individual advice?

We look forward to your email to [products@ettinger.de](mailto:products@ettinger.de).

Subject to change and errors.