

Article datasheet

Button Head Screw ISO7380-1 M4x10 Steel 10.9 Zinc Plated Hexagon

Article-No.: 001.54.441

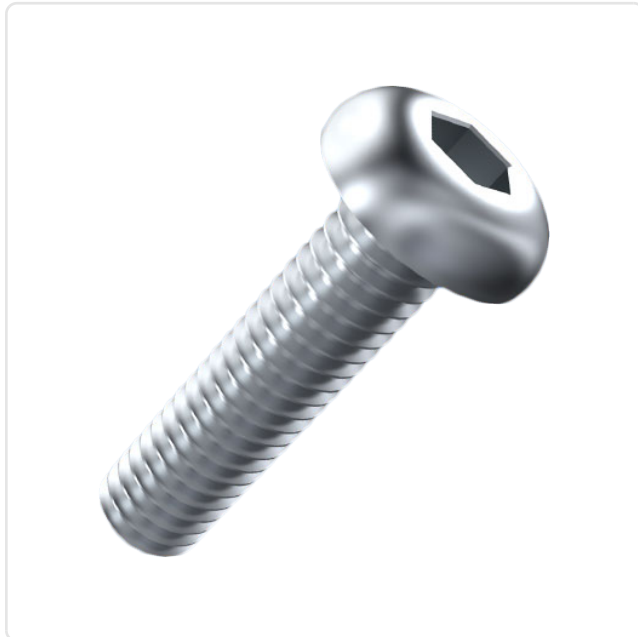
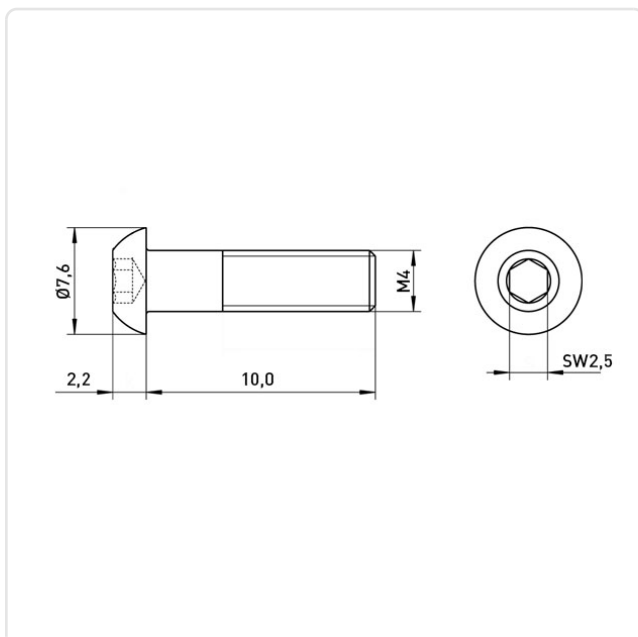


Image may be similar

Actuator Size:	Hexagon Socket Hex2.5
DIN/ISO:	ISO7380-1
Drive Type:	Hexagon Socket
Finish:	Galvanized, Blue, 5 µm, A2K
Head Diameter [mm]:	7.6
Head Height [mm]:	2.2
Head Shape:	Button Head
Length [mm]:	10
Material:	Steel 10.9
Material Group:	Stahl
Thread Size:	M4
Weight:	1.24g
Conformities:	<div style="display: flex; gap: 10px;"> <div style="border: 1px solid green; padding: 2px; text-align: center; color: green;">Reach COMPLIANT ✓</div> <div style="border: 1px solid green; padding: 2px; text-align: center; color: green;">RoHS COMPLIANT ✓</div> <div style="border: 1px solid green; padding: 2px; text-align: center; color: green;">SVHC COMPLIANT ✓</div> </div>



You can find all information on the web on our article detail page

[Button Head Screw ISO7380-1 M4x10 Steel 10.9 Zinc Plated Hexagon](#)

Would you like individual advice?

We look forward to your email to products@ettinger.de.

Subject to change and errors.