

Article datasheet

Hexagon Head Screw ISO4017 M3x6 Stainless Steel A2

Article-No.: 001.13.322

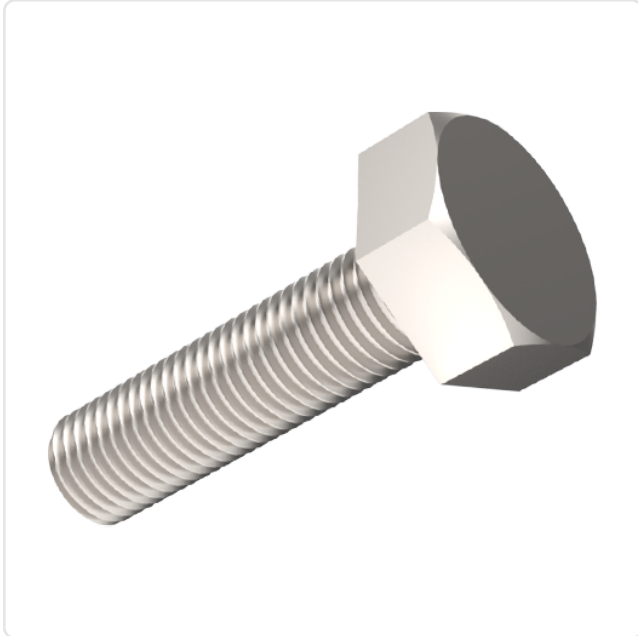
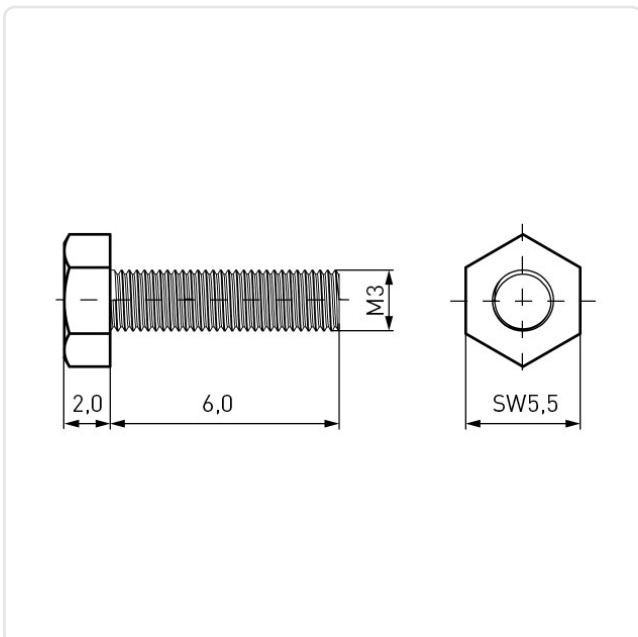


Image may be similar

Actuator Size:	Hexagon Hex5.5
DIN/ISO:	ISO4017
Drive Type:	Hexagon
Finish:	Plain
Head Diameter [mm]:	5.5
Head Height [mm]:	2
Head Shape:	Hexagon Head
Length [mm]:	6
Material:	Stainless Steel AISI 304 / A2
Material Group:	Stahl rostfrei
Thread Size:	M3
Weight:	0.6g
Conformities:	



You can find all information on the web on our article detail page

[Hexagon Head Screw ISO4017 M3x6 Stainless Steel A2](#)

Would you like individual advice?

We look forward to your email to products@ettinger.de.

Subject to change and errors.