

Article datasheet

## Hexagon Serrated Flange Nut M5 Steel 8.8 black

Article-No.: 002.09.315

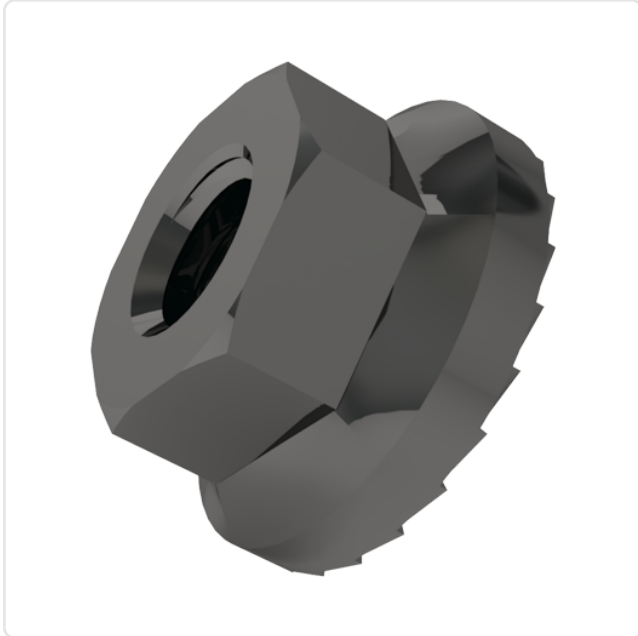
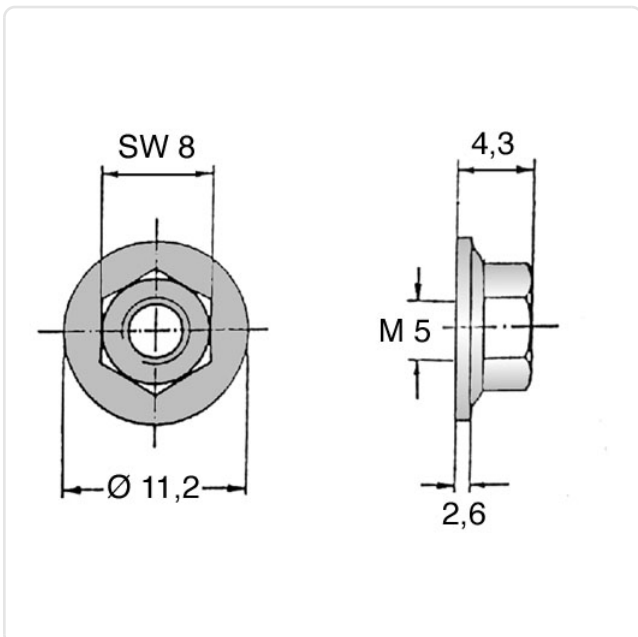


Image may be similar

AF / OD [mm]: 8  
Finish: Galvanized, Black, 5 µm, A2R  
Height [mm]: 4.3  
Material: Steel 8.8  
Material Group: Stahl  
Thread Size: M5  
Weight: 1.47g  
Conformities:



You can find all  
information on the web on  
our article detail page



Would you like individual advice?

We look forward to your email to [products@ettinger.de](mailto:products@ettinger.de).

Subject to change and errors.