

Article datasheet

Pan Head Screw ISO1580 M2.5x4 Polyamide 6.6 Natural Slotted

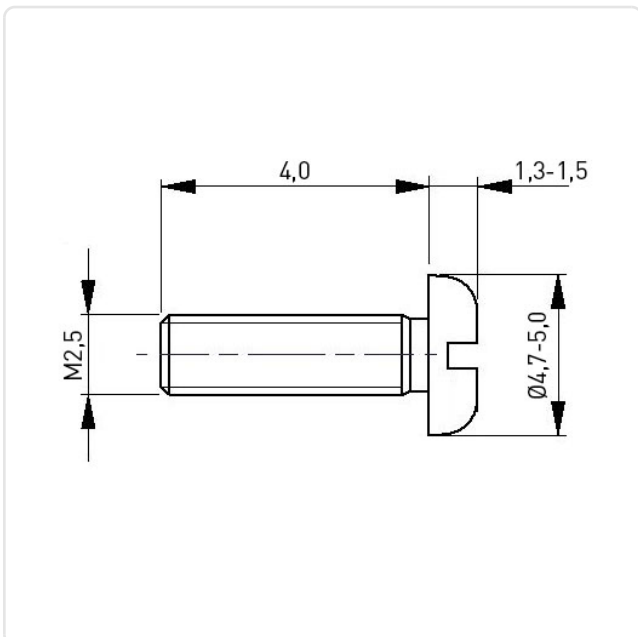
Article-No.: 001.45.206



Color:	Natural
DIN/ISO:	ISO1580
Drive Type:	Slotted
Flammability Class:	UL94-V2
Head Diameter [mm]:	4.5
Head Height [mm]:	1.6
Head Shape:	Pan Head
Length [mm]:	4
Material:	PA 6.6
Material Group:	Plastic
Thread Size:	M2.5
Weight:	0.07g
Conformities:	



Image may be similar



You can find all information on the web on our article detail page

[Pan Head Screw ISO1580 M2.5x4 Polyamide 6.6 Natural Slotted](#)

Would you like individual advice?

We look forward to your email to products@ettinger.de.

Subject to change and errors.