

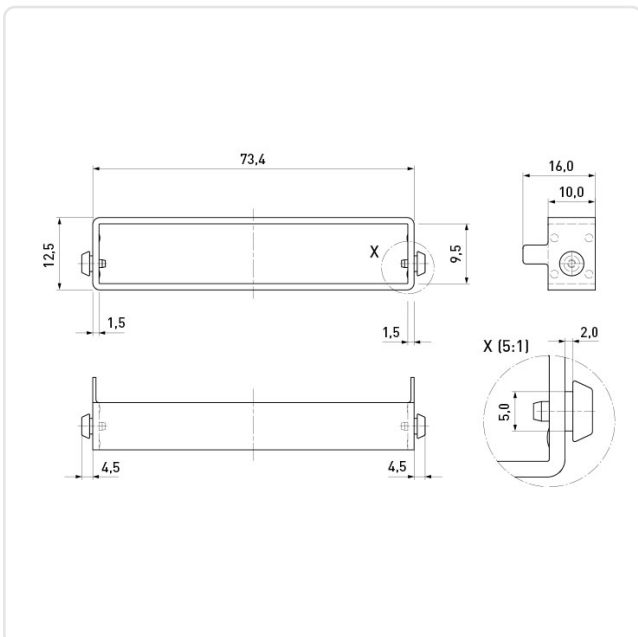
Article datasheet

## Hard Disk Sleeve 2.5"/9.5mm for panelthickness 0.75-1.3mm

Article-No.: 059.12.710



Image may be similar



Color: Black  
Material: TPR - Thermoplastic Elastomer  
Material Group: Kunststoff  
Model: Sleeve for Hard Disks  
Weight: 3.14g  
Conformities:



You can find all information on the web on our article detail page

[Hard Disk Sleeve 2.5"/9.5mm for panelthickness 0.75-1.3mm](#)

Would you like individual advice?

We look forward to your email to [products@ettinger.de](mailto:products@ettinger.de).

Subject to change and errors.