

Article datasheet

Clamping Bracket Type E M4 Galvanized Steel

Article-No.: 003.32.401

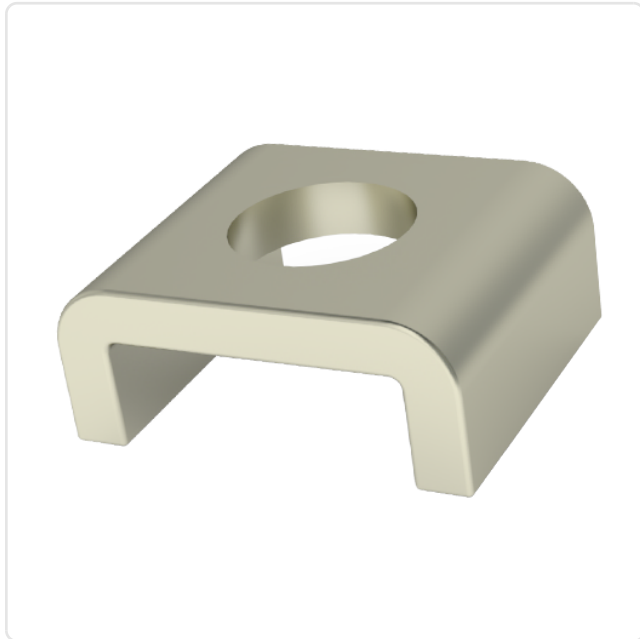
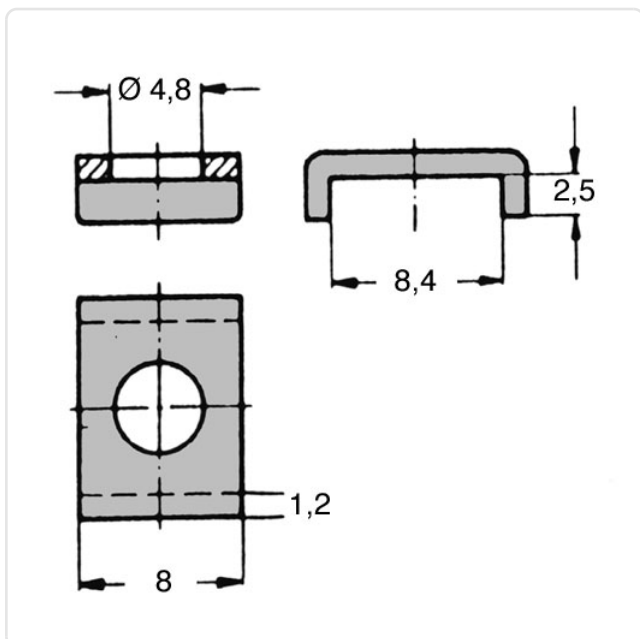


Image may be similar

Finish:	Galvanized, Blue, 5 µm, A2K
For Thread Size:	M4
Height [mm]:	1.2
Inner Diameter [mm]:	4.8
Material:	Steel
Material Group:	Stahl
Weight:	0.88g
Conformities:	<div style="display: flex; gap: 10px;"> <div style="border: 1px solid green; padding: 2px; text-align: center; color: green;">Reach COMPLIANT</div> <div style="border: 1px solid green; padding: 2px; text-align: center; color: green;">RoHS COMPLIANT</div> <div style="border: 1px solid green; padding: 2px; text-align: center; color: green;">SVHC COMPLIANT</div> </div>



You can find all information on the web on our article detail page
[Clamping Bracket Type E M4 Galvanized Steel](#)



Would you like individual advice?

We look forward to your email to products@ettinger.de.

Subject to change and errors.