

Article datasheet

Pan Head Screw ISO14583 M8x10 Stainless Steel A2 Hexalobular

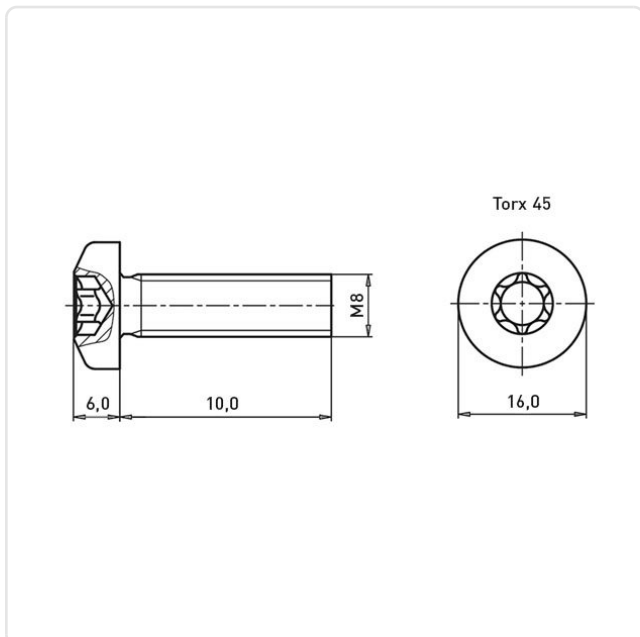
Article-No.: 001.64.842



Actuator Size:	Torx T40
DIN/ISO:	ISO14583
Drive Type:	TORX
Finish:	Plain
Head Diameter [mm]:	16
Head Height [mm]:	6
Head Shape:	Pan Head
Length [mm]:	10
Material:	Stainless Steel AISI 304 / A2
Material Group:	Stahl rostfrei
Thread Size:	M8
Weight:	9.3g
Conformities:	



Image may be similar



You can find all information on the web on our article detail page
[Pan Head Screw ISO14583 M8x10 Stainless Steel A2 Hexalobular](#)

Would you like individual advice?

We look forward to your email to products@ettinger.de.

Subject to change and errors.