

Article datasheet

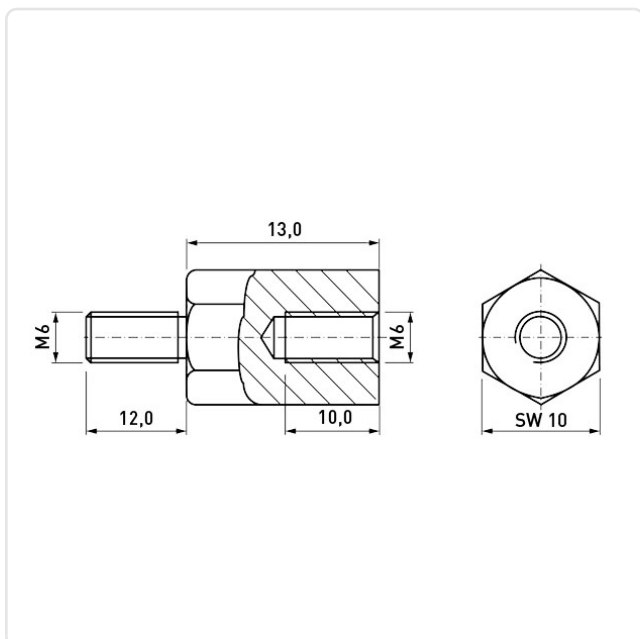
Standoff Plain Stainless Steel M/F AF10x13 F=M6x10 M=M6x12 w/ Undercut

Article-No.: 005.16.139



Image may be similar

AF / OD [mm]:	10
Female Thread Length [mm]:	10
Female Thread Size:	M6
Finish:	Plain
Length [mm]:	13
Male Thread Length [mm]:	12
Male Thread Size:	M6
Material:	Stainless Steel AISI 303 / X8CrNiS18-9
Material Group:	Stahl rostfrei
Profile:	Hexagonal
Undercut:	Yes
Weight:	8.5g
Conformities:	



You can find all information on the web on our article detail page

[Standoff Plain Stainless Steel M/F AF10x13 F=M6x10 M=M6x12 w/ Undercut](#)

Would you like individual advice?

We look forward to your email to products@ettinger.de.

Subject to change and errors.