

Article datasheet

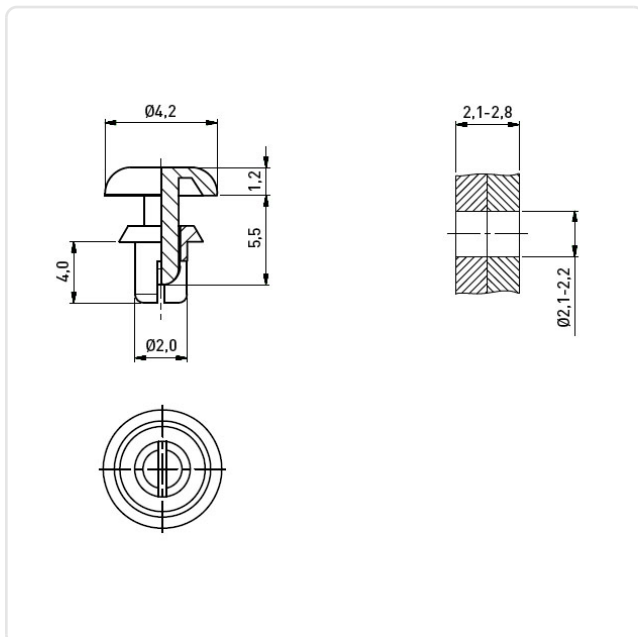
Drive Rivet Ø2.0 | 2.1-2.8 Polyamide 6 black

Article-No.: 072.21.121



Image may be similar

Color:	Black
Flammability Class:	UL94-V2
Head Diameter [mm]:	4.2
Head Height [mm]:	1.2
Length [mm]:	4
Material:	PA 6.0
Material Group:	Plastic
Model:	removable
Mounting Hole Range [mm]:	2.1-2.2
Panel Thickness [mm]:	2,1-2,8
Rivet Diameter [mm]:	2
Weight:	0.03g
Conformities:	



You can find all information on the web on our article detail page
[Drive Rivet Ø2.0 | 2.1-2.8 Polyamide 6 black](#)

Would you like individual advice?

We look forward to your email to products@ettinger.de.

Subject to change and errors.